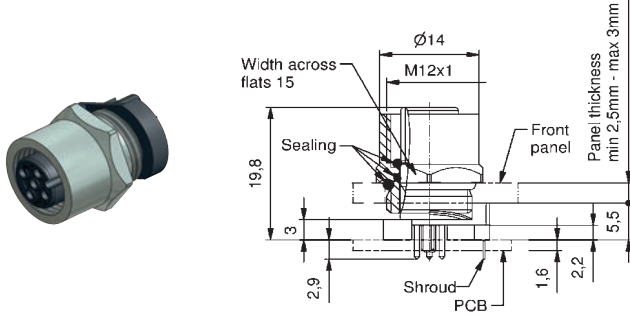


### SOCKETS M12 x 1

#### Front panel mounting, dip solder termination

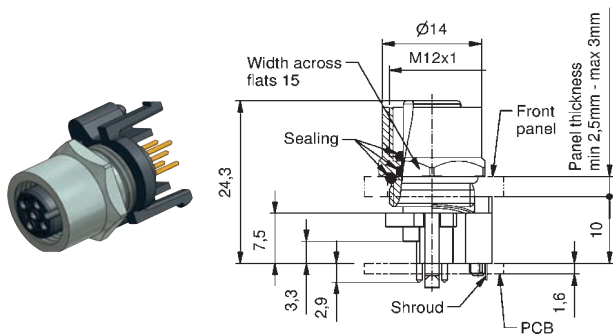


#### Two-piece female connector, direct circuit board termination, installation height 5.5 mm front panel mounting, dip solder termination



Number of poles	Coding	Rated voltage [V]	Current rating [A]	Installation height [mm]	Description	Part No.
4	A	250	4	5,5	SAL-12-FK4-X5,5	43-01178
4	A	250	4	5,5	SAL-12S-FK4-X5,5 with shroud	43-01179
5	A	60	4	5,5	SAL-12-FK5-X5,5	43-01180
5	A	60	4	5,5	SAL-12S-FK5-X5,5 with shroud	43-01181

#### Two-piece female connector, direct circuit board termination, installation height 10 mm, front panel mounting, dip solder termination



4	A	250	4	10	SAL-12-FK4-X10	43-01162
4	A	250	4	10	SAL-12S-FK4-X10 with shroud	43-01163
5	A	60	4	10	SAL-12-FK5-X10	43-01164
5	A	60	4	10	SAL-12S-FK5-X10 with shroud	43-01165
8	A	30	2	10	SAL-12-FK8-X10	43-01329
8	A	30	2	10	SAL-12S-FK8-X10 with shroud	43-01332