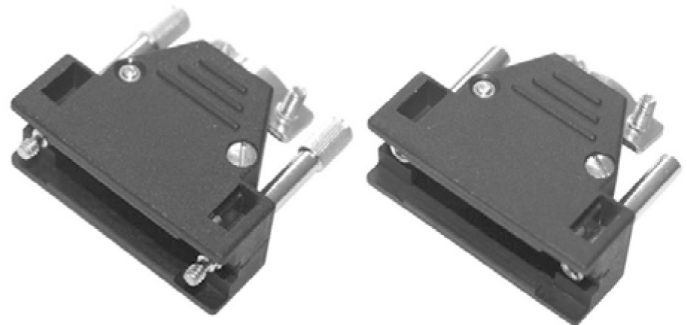
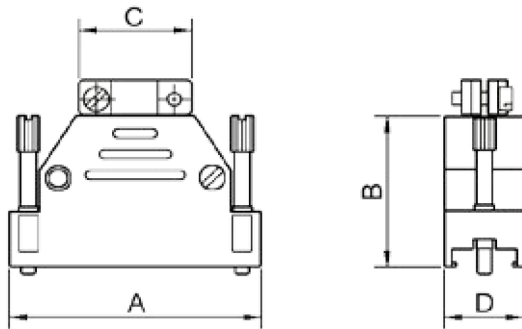


### SCREW TOGETHER HOODS WITH EXTERNAL CABLE CLAMP

#### TECHNICAL SPECIFICATIONS

Material: UL 94 V-0 Plastic Material  
 Operating Temperature: -55°C to +110°C  
 Cable Diameter: Up to 9 mm  
 Colour: Black  
 Jackscrew: UNC 4-40



Size	Dim A	Dim B	Dim C	Dim D
9-way	31,4	24,0	14,5	18,2
15-way	42,0	30,0	14,5	18,2
25-way	55,5	36,0	25,1	18,2
37-way	69,8	38,0	39,2	18,2

Size	Product Code
9-way	D-09T
15-way	D-15T
25-way	D-25T
37-way	D-37T

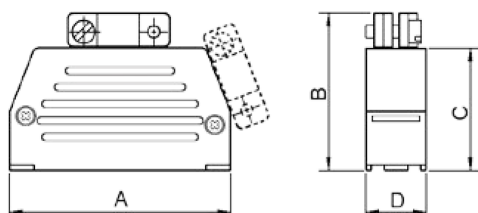
### SCREW TOGETHER HOODS, SLIDELOCK VERSION

#### TECHNICAL SPECIFICATIONS

Material: UL 94 V-0 Plastic Material  
 Operating Temperature: -55°C to +110°C  
 Cable Diameter: Up to 9 mm  
 Colour: Black

#### FEATURES

- Slide-Lock system integrated inside hood with special spring and slide lever
- Hoods are supplied complete with Slide-Lock system



Size	Dim A	Dim B	Dim C	Dim D
9-way	32,2	28,6	22,1	15,0
15-way	39,8	34,1	26,1	15,0
25-way	54,2	38,3	30,3	15,0
37-way	70,7	46,2	38,2	15,0
50-way	68,0	46,2	38,2	18,0

Size	Product Code
9-way	DS09S
15-way	DS15S
25-way	DS25S
37-way	DS37S
50-way	DS50S