

**SUB-MINIATURE D
PRODUCT CATALOGUE**



MBS
COMPONENTS



MBS  CONNECT



Welcome to the **MBS Components** Subminiature D Catalogue.

Inside you will find details of our range of Standard Subminiature D products.

The catalogue is divided into clear product sections as follows:

- 1. – Sub D Connectors**
- 2. – Sub D Hoods, Plastic**
- 3. – Sub D Hoods, Metplas**
- 4. – Sub D Hoods, Metal**
- 5. – Sub D Accessories**

In addition to our standard product range shown in this catalogue we source many other Sub D products for our customers applications. So, if you can't find what you need feel free to visit our web-site www.mbs-components.com or contact us with details of your specific requirement. One of our team will be happy to help you.

About Us

MBS Components is a privately owned specialist distributor of electro-mechanical, electronic and industrial electrical components and solutions. The company was formed in 2008 and has grown rapidly since that time. Our core principles of providing excellent service and keeping high stock levels ensure that our customers are able to respond to ever changing industry demands and requirements. Our head office and distribution centre is based in our purpose built 7000sq ft facility in Corby, Northamptonshire, UK.

We have an extensive range of components available from stock for many different industrial applications. Feel free to view our web-site or contact us for more information on the following:

- Audio/ Visual Connectivity
- Modular Connectivity
- Coaxial Connectivity
- Thermal Management
- IDC Connectivity
- Power Connectivity
- Electrical Accessories
- Waterproof Connectivity
- PCB Connectivity
- Warning Lights & Beacons

We look forward to working with you,

The MBS Components Team

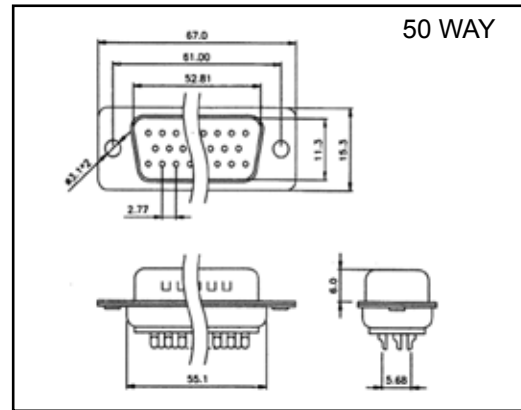
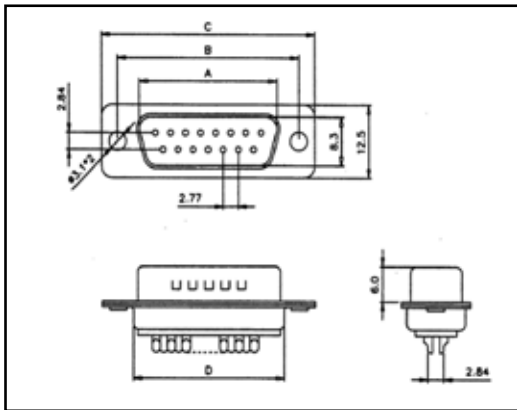
STAMPED & FORMED, SOLDER, STANDARD PROFILE

TECHNICAL SPECIFICATIONS

Insulator: Glass filled Polyester, Black UL94 V-0
 Shell: Stamped Steel, Tin Plated
 Contact pins: Copper Alloy
 Stamped and Formed Pins: Class 3, 100 inserts min. (DB)
 Contact Plating: Selective Gold over Nickel
 Contact current rating: 2 Amps max
 Contact resistance: 10mΩ max
 Operating temperature: -55°C to +105°C
 Withstanding voltage: 1000V AC for 1 minute
 Insulator resistance: 1000MΩ min



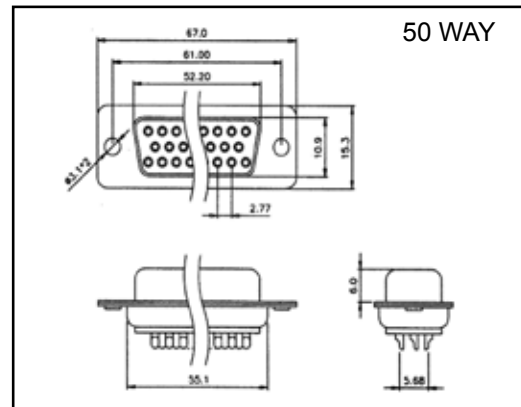
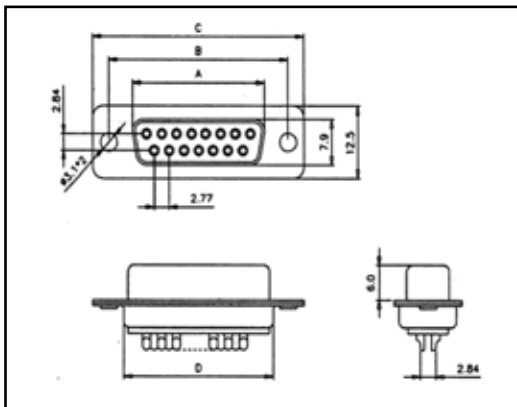
MALE



Size	A	B	C	D
9-way	16,92	25,00	30,8	19,2
15-way	25,25	33,30	39,2	27,7
25-way	38,96	47,10	53,1	41,1
37-way	55,42	63,50	69,4	57,3

Size	Plug
9-way	DB9SP
15-way	DB15SP
25-way	DB25SP
37-way	DB37SP
50-way	DB50SP

FEMALE



Size	A	B	C	D
9-way	16,30	25,00	30,8	19,2
15-way	24,60	33,30	39,2	27,7
25-way	38,30	47,10	53,1	41,1
37-way	54,80	63,50	69,4	57,3

Size	Socket
9-way	DB9SS
15-way	DB15SS
25-way	DB25SS
37-way	DB37SS
50-way	DB50SS

STAMPED & FORMED, CRIMP, STANDARD PROFILE

TECHNICAL SPECIFICATIONS

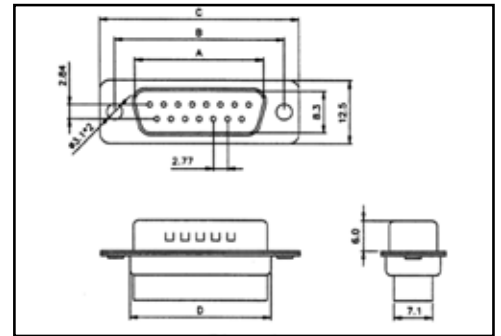
Insulator: Glass filled Polyester, Black
 UL94 V-0
 Shell: Stamped Steel, Tin Plated
 Contact pins: Copper Alloy
 Contact current rating: 2 Amps max
 Operating temperature: -55°C to +105°C
 Insulator resistance: 1000MΩ min



MALE

Size	Plug
9-way	DBC9SP
15-way	DBC15SP
25-way	DBC25SP
37-way	DBC37SP
50-way	DBC50SP

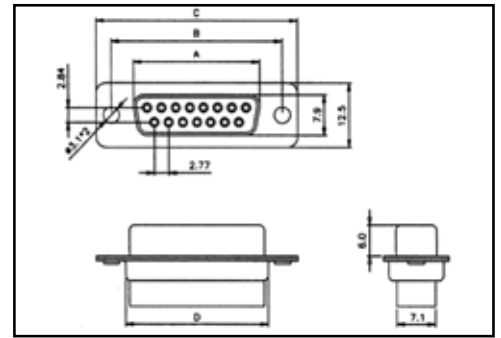
Size	A	B	C	D
9-way	16,92	25,00	30,8	19,2
15-way	25,25	33,30	39,2	27,7
25-way	38,96	47,10	53,1	41,1
37-way	55,42	63,50	69,4	57,3
50-way	52,81	61,00	67,0	55,1



FEMALE

Size	Socket
9-way	DBC9SS
15-way	DBC15SS
25-way	DBC25SS
37-way	DBC37SS
50-way	DBC50SS

Size	A	B	C	D
9-way	16,30	25,00	30,8	19,2
15-way	24,60	33,30	39,2	27,7
25-way	38,30	47,10	53,1	41,1
37-way	54,80	63,50	69,4	57,3
50-way	52,20	61,00	67,0	55,1



CRIMP CONTACTS

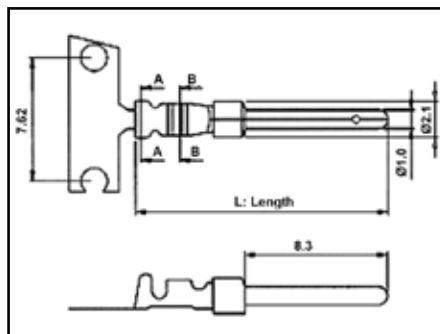
Material: Brass (Male)
 Phosphor Bronze (Female)
 Plating: Goldflash over Nickel
 Suitable for 24-28 AWG



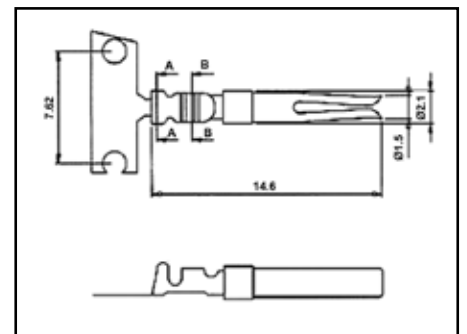
Gender	Product Code
Male	DBCTMR
Female	DBCTFR

	A	B	C	D
AWG 24-28	2,14	2,26	1,75	1,54

MALE



FEMALE



TOOLING

INSERTION/
EXTRACTION TOOL



Product Code
DCT-TOOL-EX

Ratchet operated Crimp Tool
Suitable for DBCTMR and
DBCTFR Crimp Contacts

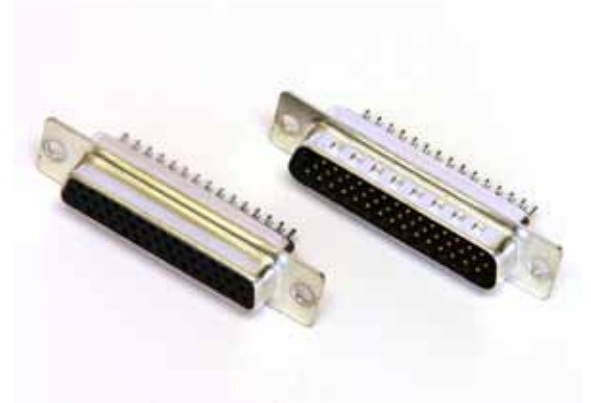


Product Code
CT08

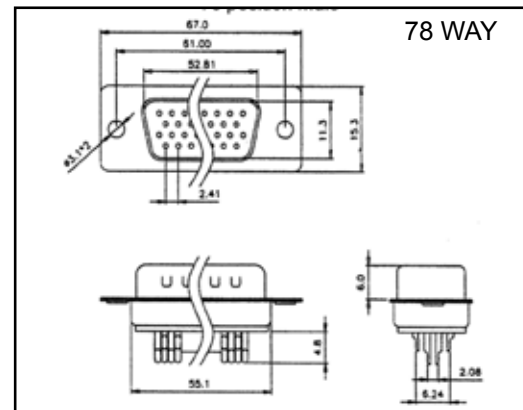
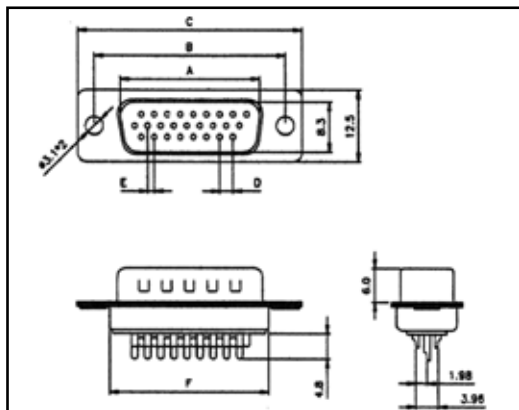
STAMPED & FORMED, SOLDER, HIGH DENSITY PROFILE

TECHNICAL SPECIFICATIONS

Insulator: Glass filled Polyester, Black
 UL94 V-0
 Shell: Stamped Steel, Tin Plated
 Contact pins: Copper Alloy
 Stamped and Formed Pins: 100 inserts min.
 Contact Plating: Selective Gold over Nickel
 Contact current rating: 2 Amps max
 Contact resistance: 25mΩ max
 Operating temperature: -55°C to +105°C
 Withstanding voltage: 500V AC for 1 minute
 Insulator resistance: 500MΩ min (At 500V DC)



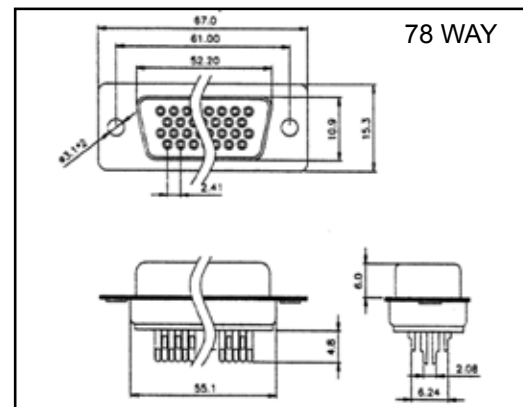
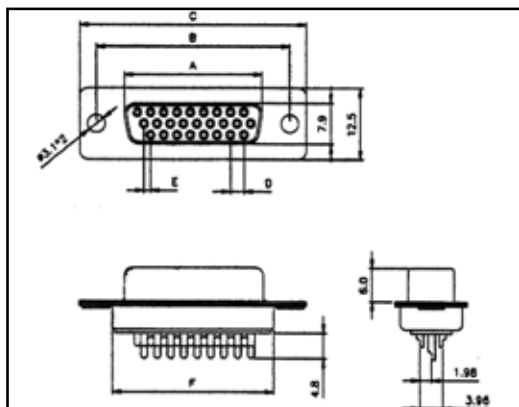
MALE



Size	A	B	C	D	E	F
HD15	16,92	25,00	30,8	2,29	1,14	19,2
HD26	25,25	33,30	39,2	2,29	1,14	27,7
HD44	38,96	47,10	53,1	2,29	1,14	41,1
HD62	55,42	63,50	69,4	2,41	1,20	57,3

Size	Plug
HD15	HDS15-M-T-B-S
HD26	HDS26-M-T-B-S
HD44	HDS44-M-T-B-S
HD62	HDS62-M-T-B-S
HD78	HDS78-M-T-B-S

FEMALE



Size	A	B	C	D	E	F
HD15	16,30	25,00	30,8	2,29	1,14	19,2
HD26	24,60	33,30	39,2	2,29	1,14	27,7
HD44	38,30	47,10	53,1	2,29	1,14	41,1
HD62	54,80	63,50	69,4	2,41	1,20	57,3

Size	Socket
HD15	HDS15-F-T-B-S
HD26	HDS26-F-T-B-S
HD44	HDS44-F-T-B-S
HD62	HDS62-F-T-B-S
HD78	HDS78-F-T-B-S

STAMPED & FORMED, CRIMP, HIGH DENSITY PROFILE

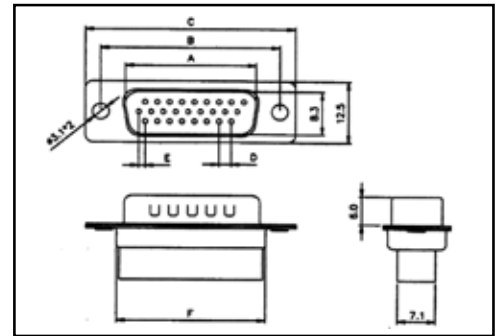
TECHNICAL SPECIFICATIONS

Insulator: Glass filled Polyester, Black
 UL94 V-0
 Shell: Stamped Steel, Tin Plated
 Contact pins: Copper Alloy
 Contact current rating: 5 Amps max
 Operating temperature: -55°C to +105°C
 Insulator resistance: 1000MΩ min



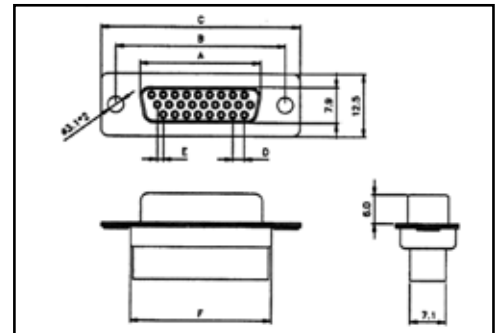
MALE

Size	Plug	Size	A	B	C	D	E	F
15-way	HDDBC15SP	15-way	16.92	25.0	30.8	2.29	1.14	19.2
24-way	HDDBC24SP	24-way	25.25	33.3	39.2	2.29	1.14	27.7
44-way	HDDBC44SP	44-way	38.96	47.1	53.1	2.29	1.14	41.1
62-way	HDDBC62SP	62-way	55.42	63.5	69.4	2.41	1.20	57.3



FEMALE

Size	Plug	Size	A	B	C	D	E	F
15-way	HDDBC15SS	15-way	16.3	25.0	30.8	2.29	1.14	19.2
24-way	HDDBC24SS	24-way	24.9	33.3	39.2	2.29	1.14	27.7
44-way	HDDBC44SS	44-way	38.3	47.1	53.1	2.29	1.14	41.1
62-way	HDDBC62SS	62-way	54.8	63.5	69.4	2.41	1.20	57.3



CRIMP CONTACTS

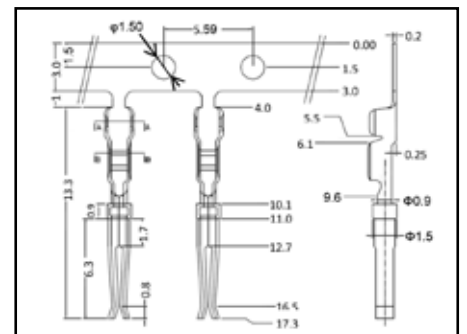
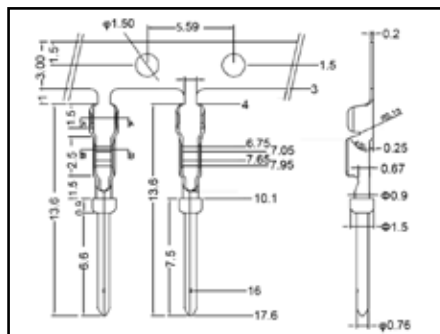
Material: Brass (Male)
 Phosphor Bronze (Female)
 Plating: Selective gold plated
 over Nickel
 Suitable for 24-28 AWG
 Reel size: 10,000



MALE



FEMALE



Gender	Product Code
Male	HDDBCTMR
Female	HDDBCTFR

TOOLING

INSERTION/
EXTRACTION TOOL



Product Code
HDCT-TOOL-EX

Ratchet operated Crimp Tool
Suitable for HDDBCTMR and
HDDBCTFR Crimp Contacts



Product Code
CT08

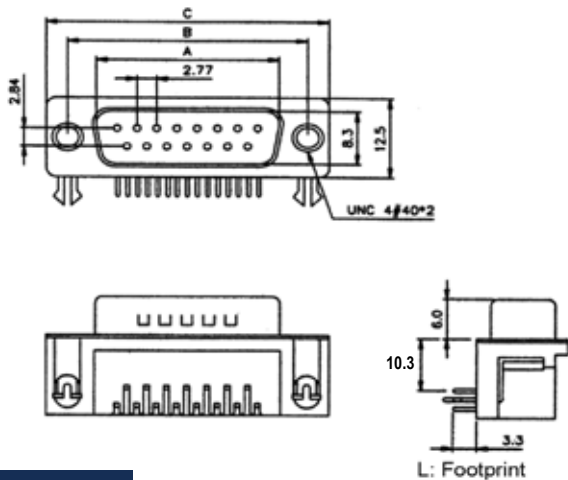
STAMPED, PCB MOUNT RIGHT ANGLE, STANDARD PROFILE, EURO FOOTPRINT

TECHNICAL SPECIFICATIONS

Contact current rating:	2 Amps max
Contact resistance:	10mΩ max
Operating temperature:	-55°C to +105°C
Withstanding voltage:	1000V AC for 1 minute
Insulator resistance:	1000MΩ min
Shell:	Steel
Insulator:	PBT, rated UL94V-0
Contacts:	Copper Alloy



MALE

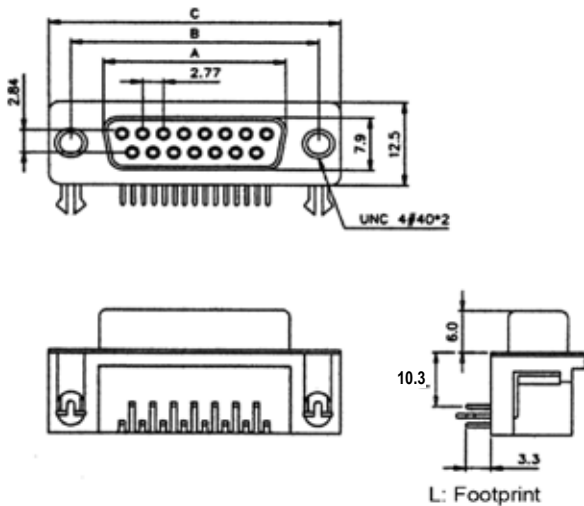


Dimension

Position	A	B	C
09	16.92	25.00	30.8
15	25.25	33.30	39.2
25	38.96	47.10	53.1
37	55.42	63.50	69.4

Size	Plug
9-way	DRB-09MNBG-111
15-way	DRB-15MNBG-111
25-way	DRB-25MNBG-111
37-way	DRB-37MNBG-111
50-way	DRB-50MNBG-111

FEMALE

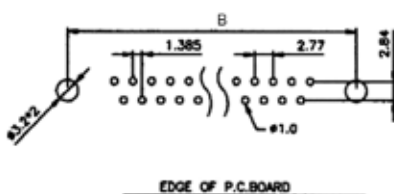


Dimension

Position	A	B	C
09	16.30	25.00	30.8
15	24.60	33.30	39.2
25	38.30	47.10	53.1
37	54.80	63.50	69.4

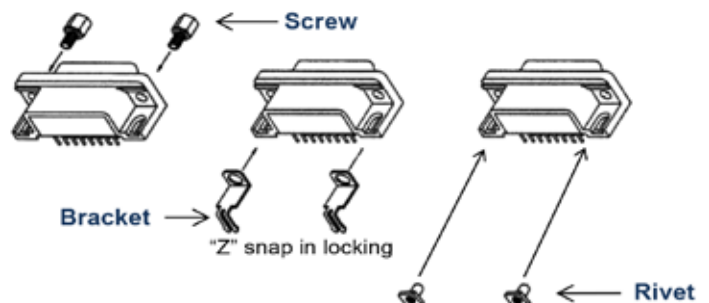
Size	Socket
9-way	DRB-09FNBG-111
15-way	DRB-15FNBG-111
25-way	DRB-25FNBG-111
37-way	DRB-37FNBG-111
50-way	DRB-50FNBG-111

PCB LAYOUT



Position	B
09	25.00
15	33.30
25	47.10
37	63.50

FITTED WITH ACCESSORIES



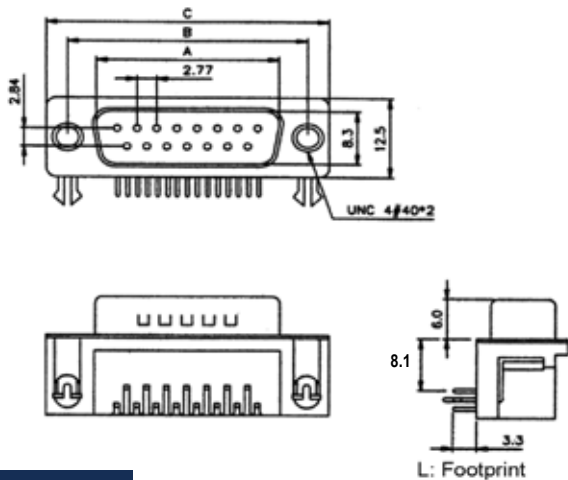
STAMPED, PCB MOUNT RIGHT ANGLE, STANDARD PROFILE, US FOOTPRINT

TECHNICAL SPECIFICATIONS

Contact current rating:	2 Amps max
Contact resistance:	10mΩ max
Operating temperature:	-55°C to +105°C
Withstanding voltage:	1000V AC for 1 minute
Insulator resistance:	1000MΩ min
Shell:	Steel
Insulator:	PBT, rated UL94V-0
Contacts:	Copper Alloy



MALE

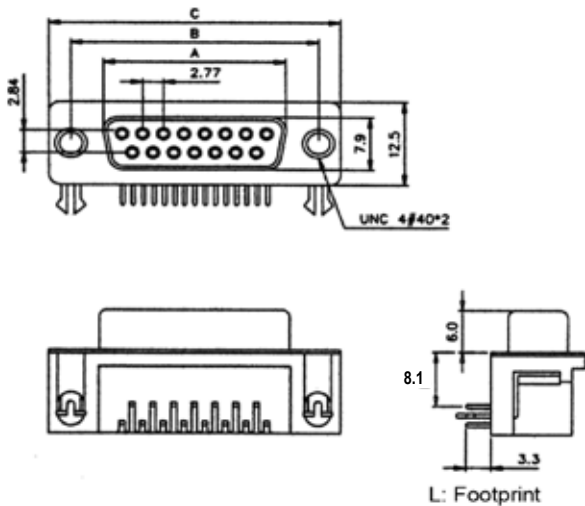


Dimension

Position	A	B	C
09	16.92	25.00	30.8
15	25.25	33.30	39.2
25	38.96	47.10	53.1
37	55.42	63.50	69.4

Size	Plug
9-way	DRA-09MNBS-111
15-way	DRA-15MNBS-111
25-way	DRA-25MNBS-111
37-way	DRA-37MNBS-111
50-way	DRA-50MNBS-111

FEMALE

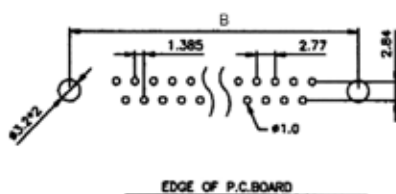


Dimension

Position	A	B	C
09	16.30	25.00	30.8
15	24.60	33.30	39.2
25	38.30	47.10	53.1
37	54.80	63.50	69.4

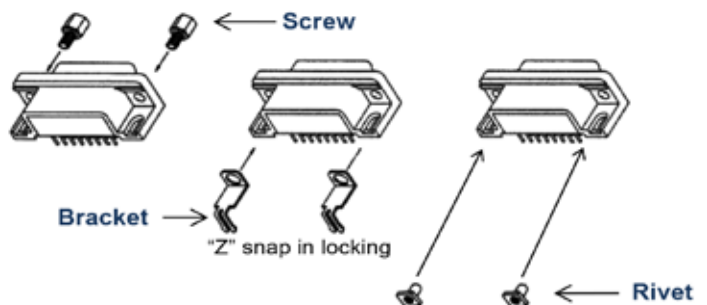
Size	Socket
9-way	DRA-09FNBS-111
15-way	DRA-15FNBS-111
25-way	DRA-25FNBS-111
37-way	DRA-37FNBS-111
50-way	DRA-50FNBS-111

PCB LAYOUT



Position	B
09	25.00
15	33.30
25	47.10
37	63.50

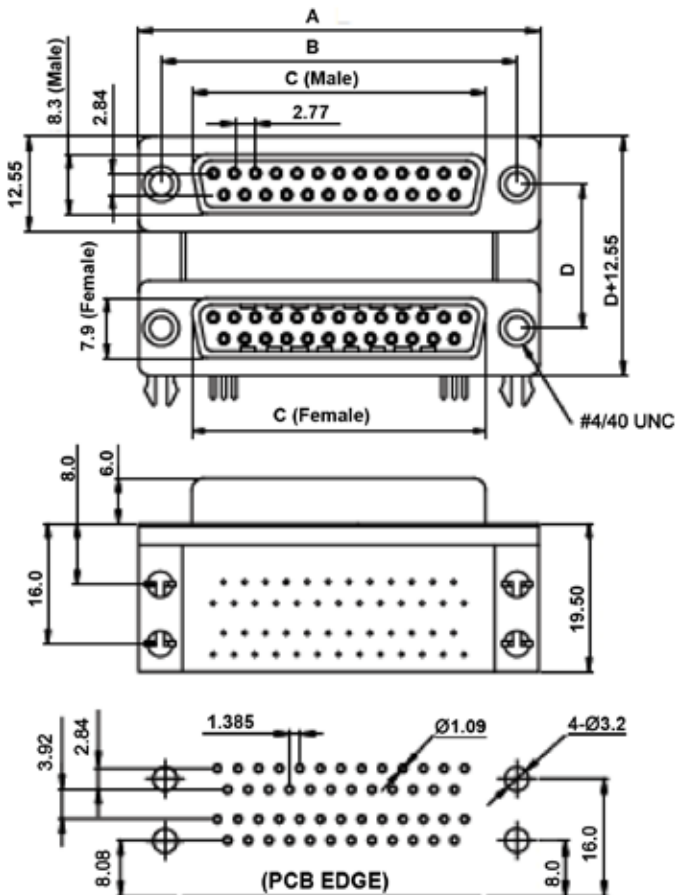
FITTED WITH ACCESSORIES



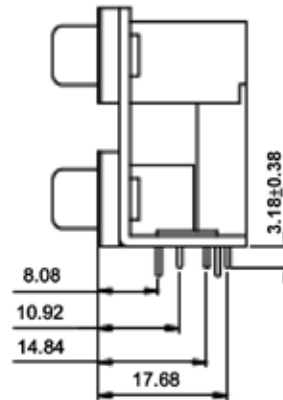
DUAL PORT, STACKED, RIGHT ANGLE PCB MOUNT

TECHNICAL SPECIFICATIONS

Contact current rating:	2 Amps max
Contact resistance:	10mΩ max
Operating temperature:	-55°C to +105°C
Withstanding voltage:	1000V AC for 1 minute
Insulator resistance:	1000MΩ min
Shell:	Steel, tin or zinc plated
Insulator:	PBT, rated UL94V-0
Contacts:	Copper Alloy



Recommend PCB Layout



Dimension

Position	A	B	C (Male)	C (Female)	D
09	30.8	25.0	16.92	16.3	Deck spacing 15.88 19.05
15	39.2	33.3	25.25	24.6	
25	53.1	47.1	38.96	38.3	
37	69.4	63.5	55.42	54.8	

DECK SPACING 15.88mm	
9M/9M	D2R-09M/09MNS211
9M/9F	D2R-09M/09FNS211
9F/9F	D2R-09F/09FNS211
15M/15M	D2R-15M/15MNS211
15M/15F	D2R-15M/15FNS211
15F/15F	D2R-15F/15FNS211
25M/25M	D2R-25M/25MNS211
25M/25F	D2R-25M/25FNS211
25F/25F	D2R-25F/25FNS211

DECK SPACING 19.05mm	
9M/9M	D2R-09M/09MNS221
9M/9F	D2R-09M/09FNS221
9F/9F	D2R-09F/09FNS221
15M/15M	D2R-15M/15MNS221
15M/15F	D2R-15M/15FNS221
15F/15F	D2R-15F/15FNS221
25M/25M	D2R-25M/25MNS221
25M/25F	D2R-25M/25FNS221
25F/25F	D2R-25F/25FNS221

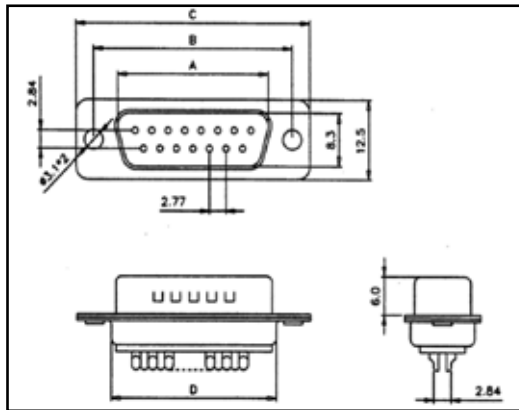
MACHINED CONTACT, SOLDER, STANDARD PROFILE

TECHNICAL SPECIFICATIONS

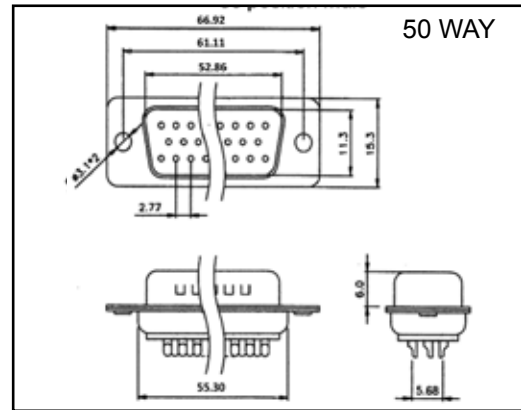
Insulator:	Glass filled Polyester, Black UL94 V-0
Shell:	Stamped Steel, Tin Plated
Contact pins:	Copper Alloy
Machined Pins:	Class 1, 500 inserts min. (DM)
Contact Plating:	Selective Gold over Nickel
Contact current rating:	5 Amps max
Contact resistance:	25mΩ max
Operating temperature:	-56°C to +105°C
Withstanding voltage:	1000V AC for 1 minute
Insulator resistance:	1000MΩ min



MALE

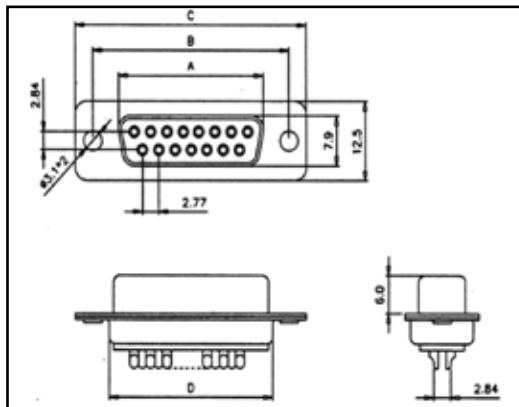


Size	A	B	C	D
9-way	16,92	24,99	30,81	19,23
15-way	25,25	33,32	39,14	27,56
25-way	38,96	47,04	53,04	41,30
37-way	55,42	63,50	69,32	57,30

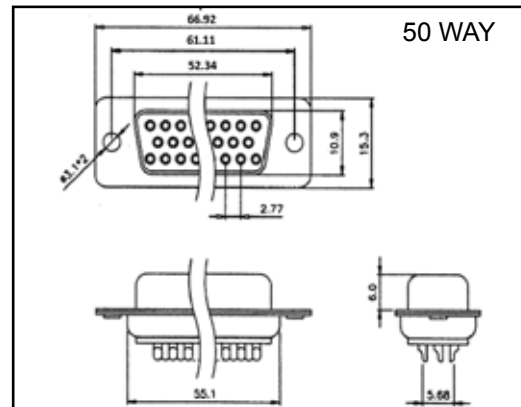


Size	Plug
9-way	DM9SP
15-way	DM15SP
25-way	DM25SP
37-way	DM37SP
50-way	DM50SP

FEMALE



Size	A	B	C	D
9-way	16,33	24,99	30,81	19,28
15-way	24,66	33,32	39,14	27,51
25-way	38,38	47,04	53,04	41,30
37-way	54,84	63,50	69,32	57,71



Size	Socket
9-way	DM9SS
15-way	DM15SS
25-way	DM25SS
37-way	DM37SS
50-way	DM50SS

MACHINED, CRIMP, STANDARD PROFILE

TECHNICAL SPECIFICATIONS

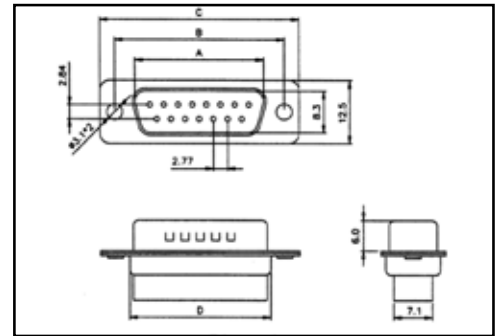
Insulator:	Glass filled Polyester, Black UL94 V-0
Shell:	Stamped Steel, Tin Plated
Contact pins:	Copper Alloy
Contact current rating:	2 Amps max
Operating temperature:	-55°C to +105°C
Insulator resistance:	1000MΩ min



MALE

Size	Plug
9-way	DBC9SP
15-way	DBC15SP
25-way	DBC25SP
37-way	DBC37SP
50-way	DBC50SP

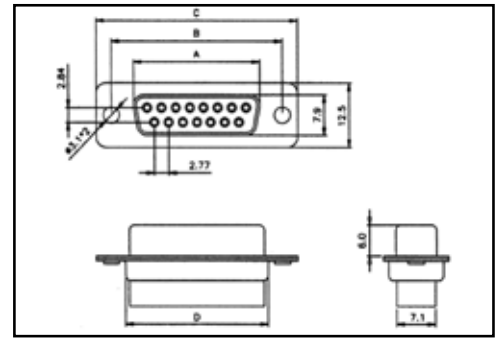
Size	A	B	C	D
9-way	16,92	25,00	30,8	19,2
15-way	25,25	33,30	39,2	27,7
25-way	38,96	47,10	53,1	41,1
37-way	55,42	63,50	69,4	57,3
50-way	52,81	61,00	67,0	55,1



FEMALE

Size	Socket
9-way	DBC9SS
15-way	DBC15SS
25-way	DBC25SS
37-way	DBC37SS
50-way	DBC50SS

Size	A	B	C	D
9-way	16,30	25,00	30,8	19,2
15-way	24,60	33,30	39,2	27,7
25-way	38,30	47,10	53,1	41,1
37-way	54,80	63,50	69,4	57,3
50-way	52,20	61,00	67,0	55,1



CRIMP CONTACTS

Material: Copper Alloy
Plating: Gold Plating over Nickel
Suitable for 24-30 AWG

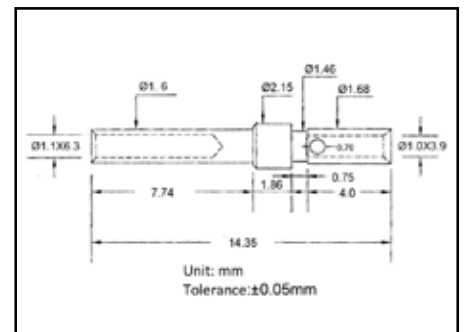
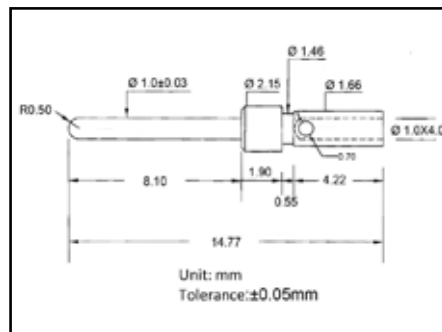


MALE



FEMALE

Gender	Product Code
Male	DCTM-CM
Female	DCTM-CF



TOOLING

INSERTION/
EXTRACTION TOOL



Product Code
DCT-TOOL-EX

Ratchet operated Crimp Tool
Suitable for DCTM-CM and
DCTM-CF Crimp Contacts



Product Code
CT08

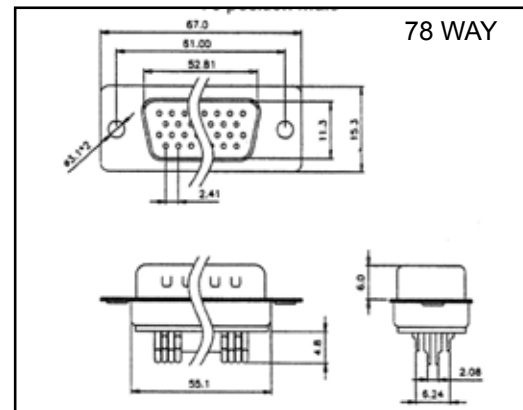
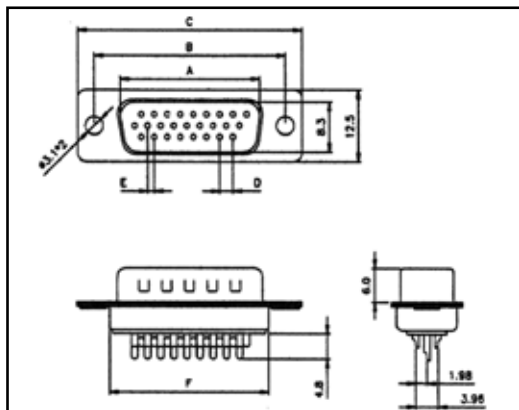
MACHINED CONTACT, SOLDER, HIGH DENSITY PROFILE

TECHNICAL SPECIFICATIONS

Insulator:	Glass filled Polyester, Black UL94 V-0
Shell:	Stamped Steel, Tin Plated
Contact pins:	Copper Alloy
Machined Pins:	500 inserts min.
Contact Plating:	Selective Gold over Nickel
Contact current rating:	5 Amps max
Contact resistance:	25mΩ max
Operating temperature:	-55°C to +105°C
Withstanding voltage:	1000V AC for 1 minute
Insulator resistance:	1000MΩ min (At 500V DC)



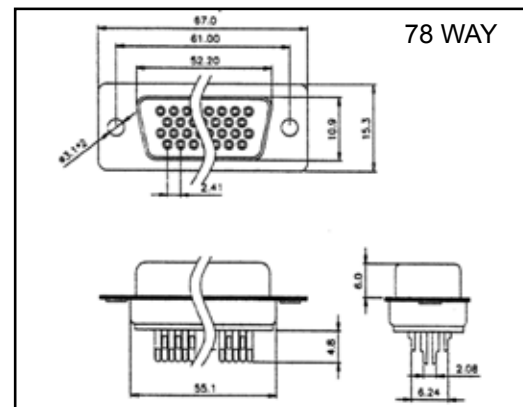
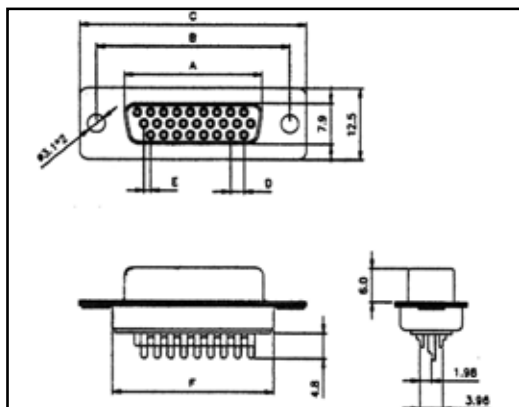
MALE



Size	A	B	C	D	E	F
HD15	16,92	25,00	30,8	2,29	1,14	19,2
HD26	25,25	33,30	39,2	2,29	1,14	27,7
HD44	38,96	47,10	53,1	2,29	1,14	41,1
HD62	55,42	63,50	69,4	2,41	1,20	57,3

Size	Plug
HD15	HDS15-M-T-B-M
HD26	HDS26-M-T-B-M
HD44	HDS44-M-T-B-M
HD62	HDS62-M-T-B-M
HD78	HDS78-M-T-B-M

FEMALE



Size	A	B	C	D	E	F
HD15	16,30	25,00	30,8	2,29	1,14	19,2
HD26	24,60	33,30	39,2	2,29	1,14	27,7
HD44	38,30	47,10	53,1	2,29	1,14	41,1
HD62	54,80	63,50	69,4	2,41	1,20	57,3

Size	Socket
HD15	HDS15-F-T-B-M
HD26	HDS26-F-T-B-M
HD44	HDS44-F-T-B-M
HD62	HDS62-F-T-B-M
HD78	HDS78-F-T-B-M

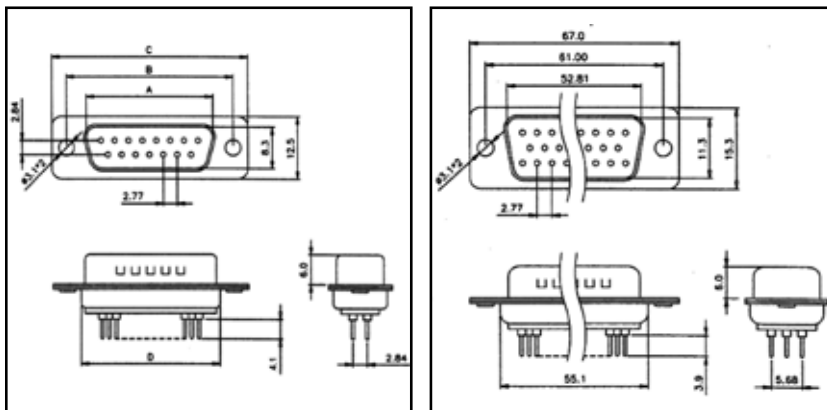
MACHINED, PCB MOUNT STRAIGHT, STANDARD PROFILE

TECHNICAL SPECIFICATIONS

Insulator:	Glass filled Polyester, Black UL94 V-0
Shell:	Stamped Steel, Tin Plated
Contact pins:	Copper Alloy
Machined Pins:	Class 1, 500 inserts min. (DM)
Contact Plating:	Selective Gold over Nickel
Contact current rating:	5 Amps max
Contact resistance:	15mΩ max
Operating temperature:	-50°C to +105°C
Withstanding voltage:	1000V AC for 1 minute
Insulator resistance:	500MΩ min

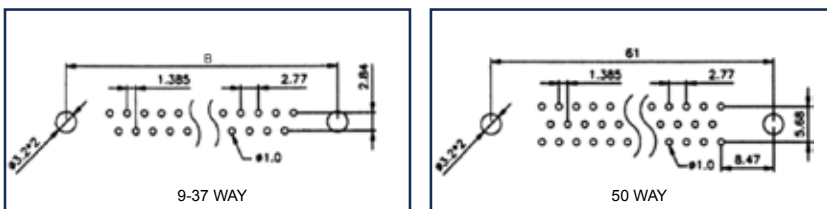


MALE

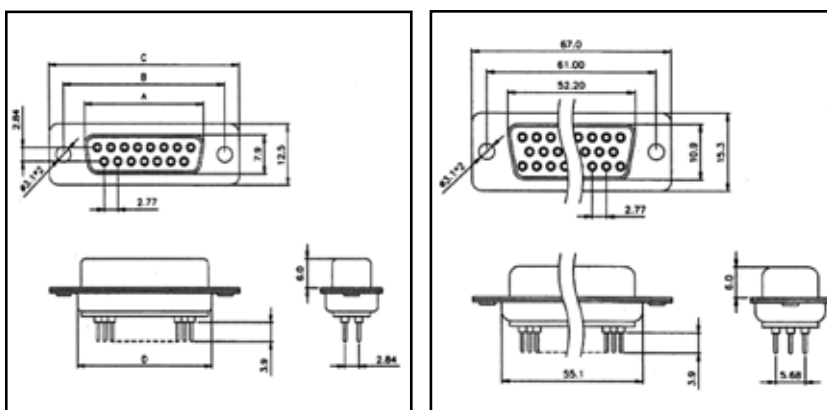


Size	A	B	C	D
9-way	16,92	24,99	30,80	19,2
15-way	25,25	33,32	39,32	27,7
25-way	38,96	47,04	53,00	41,1
37-way	55,42	63,50	69,30	57,3

Size	Plug
9-way	DD-09-M-T-B-M
15-way	DD-15-M-T-B-M
25-way	DD-25-M-T-B-M
37-way	DD-37-M-T-B-M
50-way	DD-50-M-T-B-M

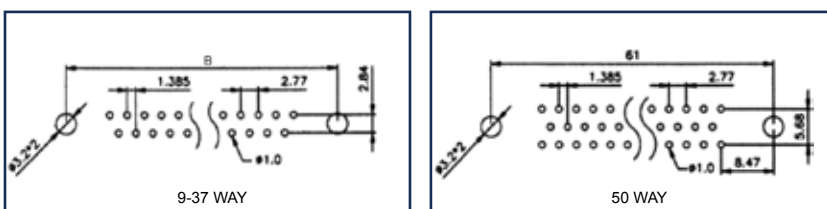


FEMALE



Size	A	B	C	D
9-way	16,30	24,99	30,80	19,2
15-way	24,65	33,32	39,15	27,7
25-way	38,40	47,04	53,00	41,1
37-way	54,80	63,50	69,30	57,3

Size	Socket
9-way	DD-09-F-T-B-M
15-way	DD-15-F-T-B-M
25-way	DD-25-F-T-B-M
37-way	DD-37-F-T-B-M
50-way	DD-50-F-T-B-M



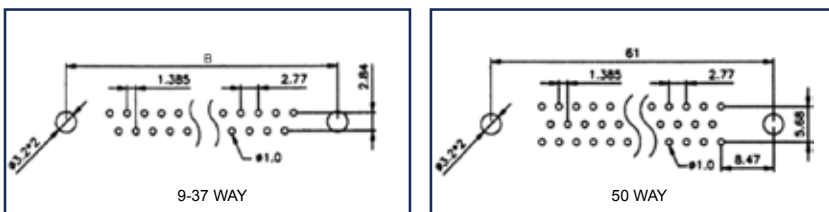
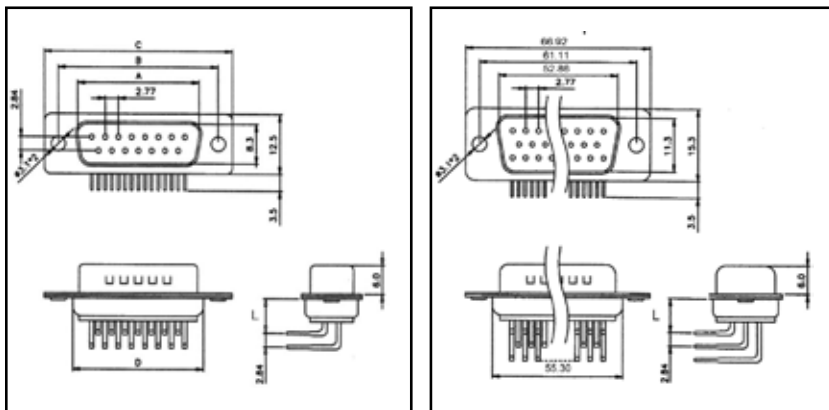
MACHINED, PCB MOUNT RIGHT ANGLE, STANDARD PROFILE

TECHNICAL SPECIFICATIONS

Insulator:	Glass filled Polyester, Black UL94 V-0
Shell:	Stamped Steel, Tin Plated
Contact pins:	Copper Alloy, Machined
Machined Pins:	Class 1, 500 inserts min. (DM)
Contact Plating:	Selective Gold over Nickel
Contact current rating:	5 Amps max
Contact resistance:	10mΩ max
Operating temperature:	-55°C to +105°C
Withstanding voltage:	1000V AC for 1 minute
Insulator resistance:	1000MΩ min



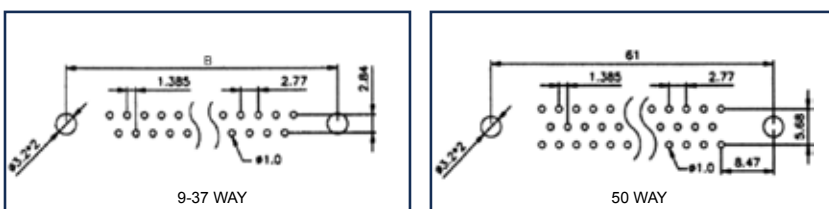
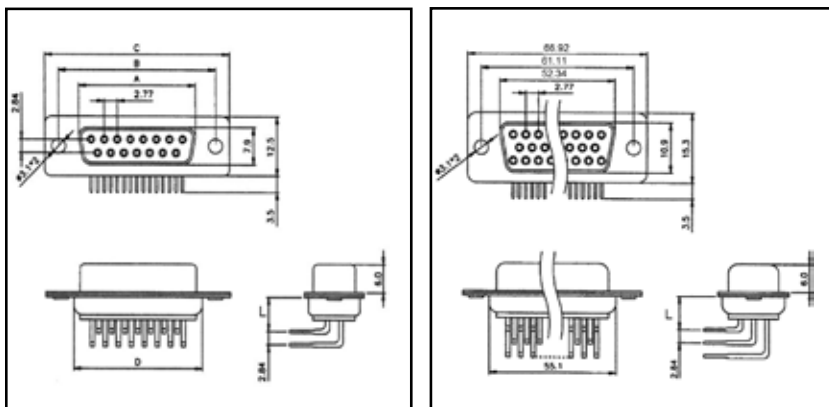
MALE



Size	A	B	C	D
9-way	16,92	24,99	30,81	19,23
15-way	25,25	33,32	39,14	27,56
25-way	38,96	47,04	53,04	41,30
37-way	55,42	63,50	69,32	57,30
50-way	52,86	61,11	66,92	55,30

Size	Plug
9-way	DRBM-09M-TBG-9.4
15-way	DRBM-15M-TBG-9.4
25-way	DRBM-25M-TBG-9.4
37-way	DRBM-37M-TBG-9.4
50-way	DRBM-50M-TBG-9.4

FEMALE



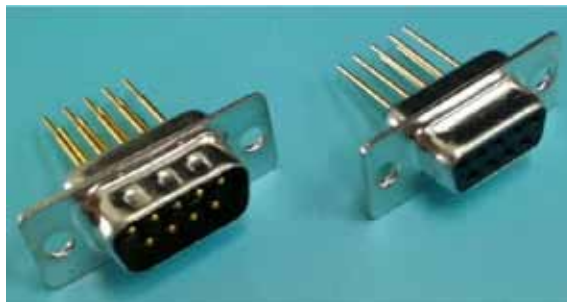
Size	A	B	C	D
9-way	16,33	24,99	30,81	19,28
15-way	24,66	33,32	39,14	27,51
25-way	38,38	47,04	53,04	41,30
37-way	54,84	63,50	69,32	57,71
50-way	52,34	61,11	66,92	55,1

Size	Socket
9-way	DRBM-09F-TBG-9.4
15-way	DRBM-15F-TBG-9.4
25-way	DRBM-25F-TBG-9.4
37-way	DRBM-37F-TBG-9.4
50-way	DRBM-50F-TBG-9.4

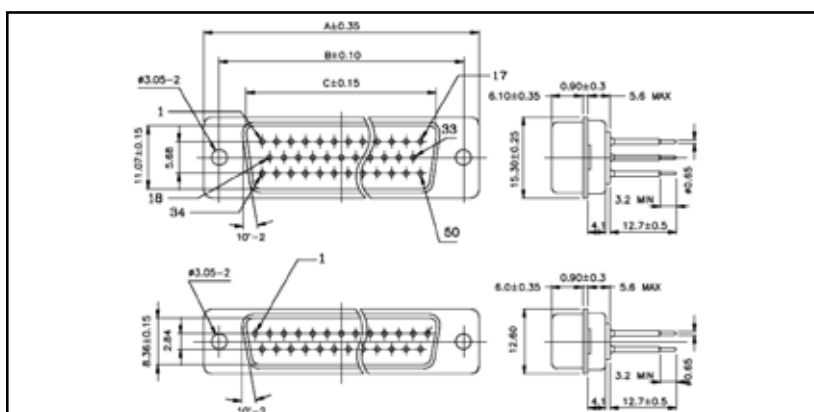
MACHINED, WIRE WRAP, STANDARD PROFILE

TECHNICAL SPECIFICATIONS

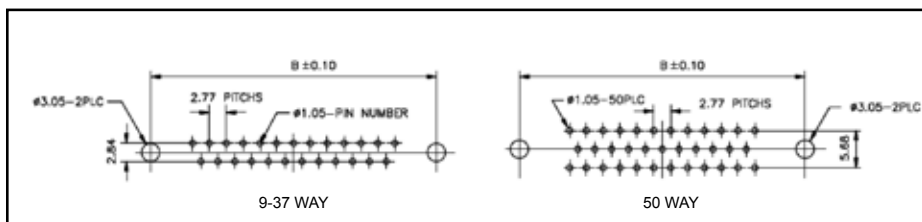
Insulator:	Glass filled Polyester, Black UL94 V-0
Shell:	Stamped Steel, Tin Plated
Contact pins:	Copper Alloy
Machined Pins:	Class 1, 500 inserts min. (DM)
Contact current rating:	3 Amps max
Contact resistance:	15mΩ max
Operating temperature:	-50°C to +100°C
Withstanding voltage:	500V AC for 1 minute
Insulator resistance:	1000MΩ min



MALE

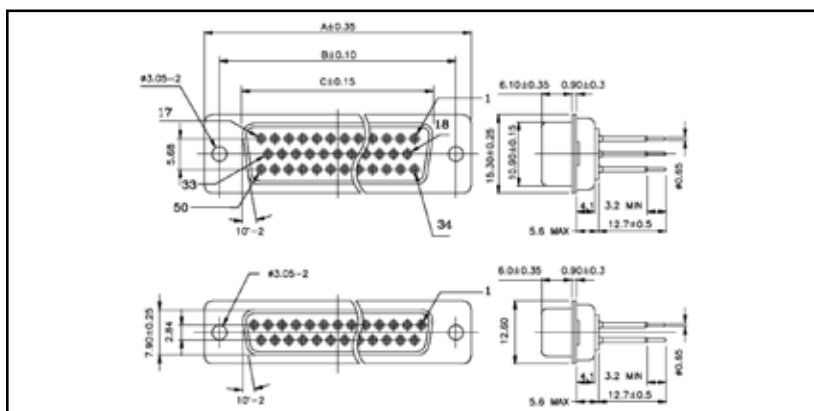


Size	A	B	C
9-way	30,8	25,00	16,92
15-way	39,2	33,32	25,25
25-way	53,0	47,04	38,96
37-way	69,3	63,50	55,42
50-way	67,0	61,00	52,80

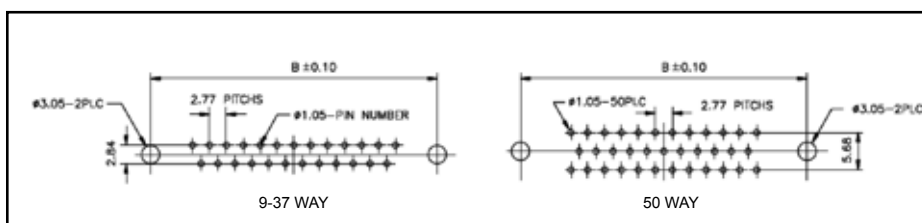


Size	Plug
9-way	DDML-09M-TBG
15-way	DDML-15M-TBG
25-way	DDML-25M-TBG
37-way	DDML-37M-TBG
50-way	DDML-50M-TBG

FEMALE



Size	A	B	C
9-way	30,8	25,00	16,30
15-way	39,2	33,32	24,65
25-way	53,0	47,04	38,40
37-way	69,3	63,50	54,80
50-way	67,0	61,00	52,20



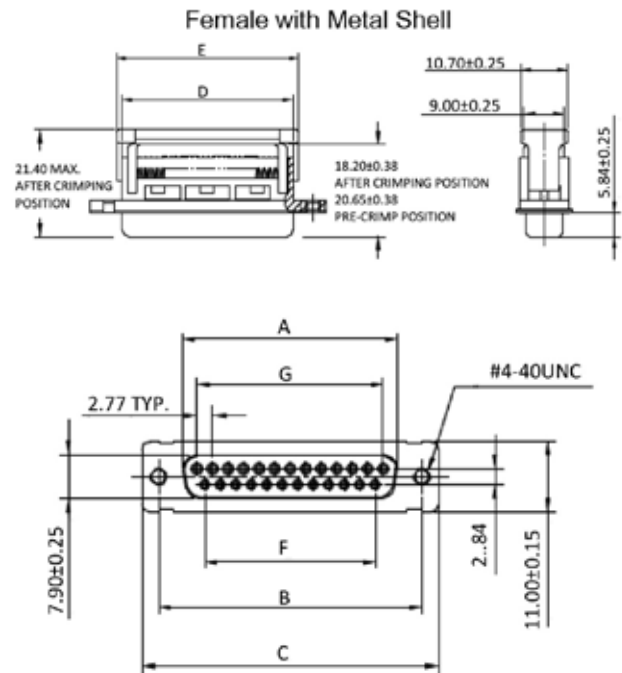
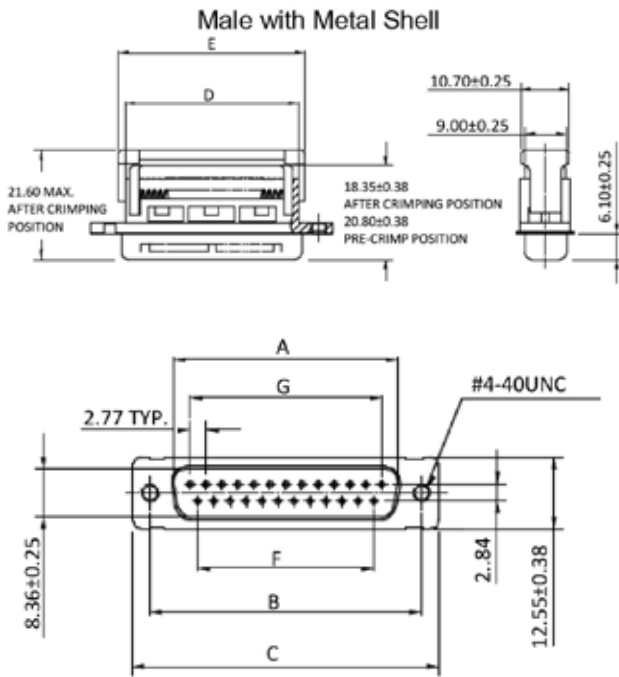
Size	Socket
9-way	DDML-09F-TBG
15-way	DDML-15F-TBG
25-way	DDML-25F-TBG
37-way	DDML-37F-TBG
50-way	DDML-50F-TBG

IDC, SUB D CONNECTORS, ECONOMY CONTACT

TECHNICAL SPECIFICATIONS

Insulator: PBT+G/F reinforced UL94 V-0
 Shell: spcc, or PBT
 Contacts: Male: Brass
 Female: Phosphor Bronze
 Wire size: 26 to 28 AWG stranded, 1.27mm conductor centre flat cable
 Contact current rating: 1 Amps max
 Contact resistance: 15mΩ max
 Insulation resistance: 1000MΩ min
 Withstanding voltage: 500V AC for 1 minute
 Operating temperature: -25°C to +85°C

Supplied with Plastic Strain Relief
 Stainless Steel available on request



Position	A	B	C	D	E	F	G
09M	16,92	24,99	30,80	16,10	18,60	8,31	11,08
15M	25,25	33,32	39,10	24,00	26,60	16,62	19,39
25M	38,96	47,04	53,09	38,14	40,90	30,47	33,24
37M	55,45	63,50	69,40	54,50	57,10	47,09	49,86

Position	A	B	C	D	E	F	G
09F	16,33	24,99	30,80	16,10	18,60	8,31	11,08
15F	24,66	33,32	39,10	24,00	26,60	16,62	19,39
25F	38,38	47,04	53,09	38,14	40,90	30,47	33,24
37F	54,84	63,50	69,40	54,50	57,10	47,09	49,86

Size	MALE Through Hole	FEMALE Through Hole	MALE UNC4-40 Threaded Inserts	FEMALE UNC4-40 Threaded Inserts
9-way	DF2-09MTBSPOM	DF2-09FTBSPOM	DF2-09MTBSPIM	DF2-09FTBSPIM
15-way	DF2-15MTBSPOM	DF2-15FTBSPOM	DF2-15MTBSPIM	DF2-15FTBSPIM
25-way	DF2-25MTBSPOM	DF2-25FTBSPOM	DF2-25MTBSPIM	DF2-25FTBSPIM
37-way	DF2-37MTBSPOM	DF2-37FTBSPOM	DF2-37MTBSPIM	DF2-37FTBSPIM

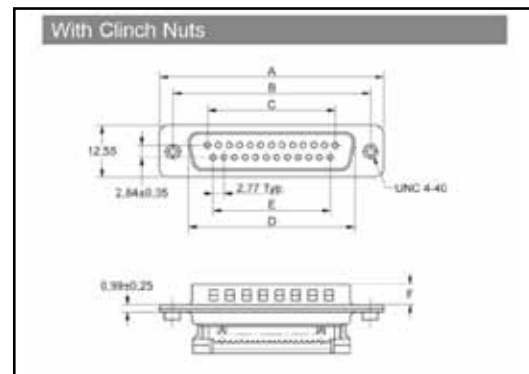
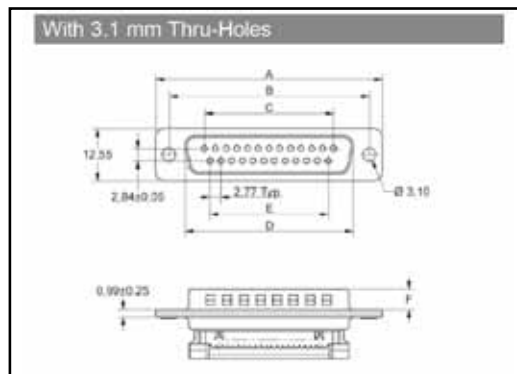
IDC, SUB D CONNECTORS, HIGH QUALITY CONTACT

TECHNICAL SPECIFICATIONS

Insulator:	Glass filled Polyester, Black UL94 V-0
Shell:	Stamped Steel, Tin Plated
Contact pins:	Copper Alloy
Contact Plating:	1,5 micron Tin and 0,2 micron Gold
Working current:	1,5 A
Test voltage:	1000 V
Insulator resistance:	500MΩ min
Contact resistance:	less than 10mΩ
Operating temperature:	-55°C to +125°C



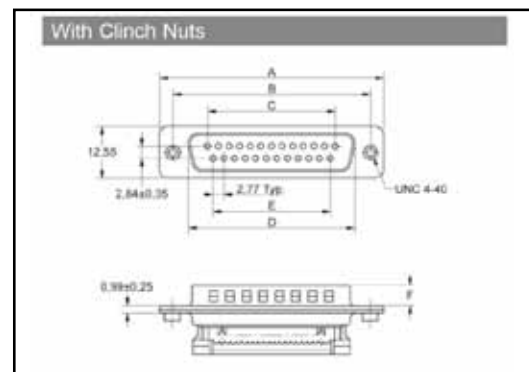
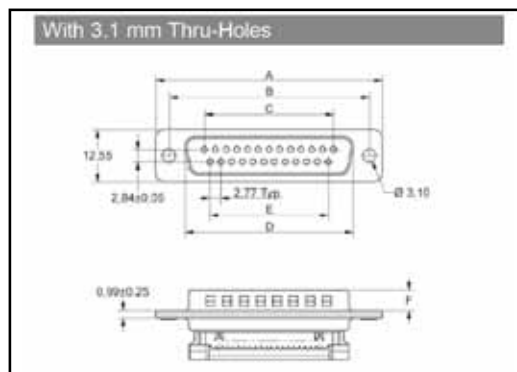
MALE



Size	A	B	C	D	E	F
9-way	30,81	24,99	11,08	16,92	8,31	5,90
15-way	39,14	33,32	19,39	25,25	16,62	5,90
25-way	53,04	47,04	33,24	38,96	30,47	5,90
37-way	69,36	63,50	49,86	55,25	47,09	5,90

Plug Size	3.1mm Thru-Holes	Clinch Nuts
9-way	10551	10567
15-way	10552	10568
25-way	10553	10569
37-way	10554	10570

FEMALE



Size	A	B	C	D	E	F
9-way	30,81	24,99	11,08	16,33	8,31	6,23
15-way	39,14	33,32	19,39	24,66	16,62	6,23
25-way	53,04	47,04	33,24	38,38	30,47	6,23
37-way	69,36	63,50	49,86	54,84	47,09	6,23

Socket Size	3.1mm Thru-Holes	Clinch Nuts
9-way	10575	10591
15-way	10576	10592
25-way	10577	10593
37-way	10578	10594

Size	Strain Relief Bars
9-way	10175
15-way	10176
25-way	10177
37-way	10178



Strain Relief Bar



Standard IDC



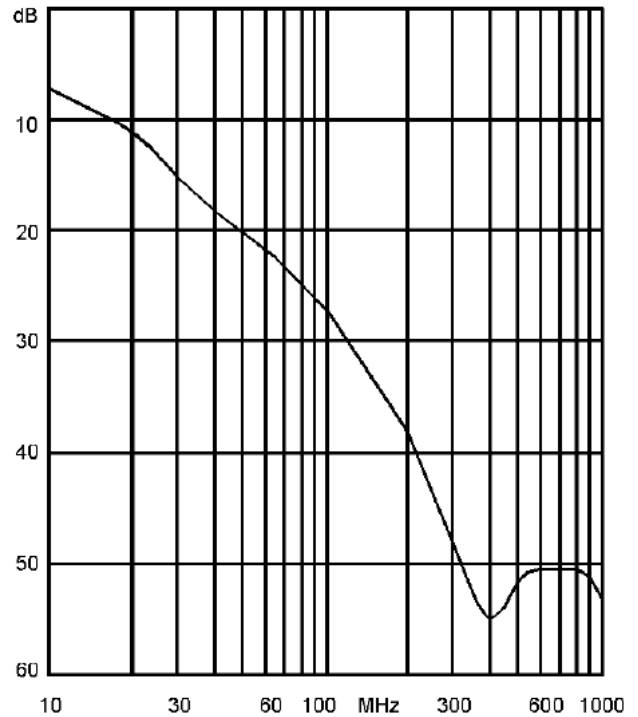
With Strain Relief Bar

FILTERED SUB D CONNECTORS

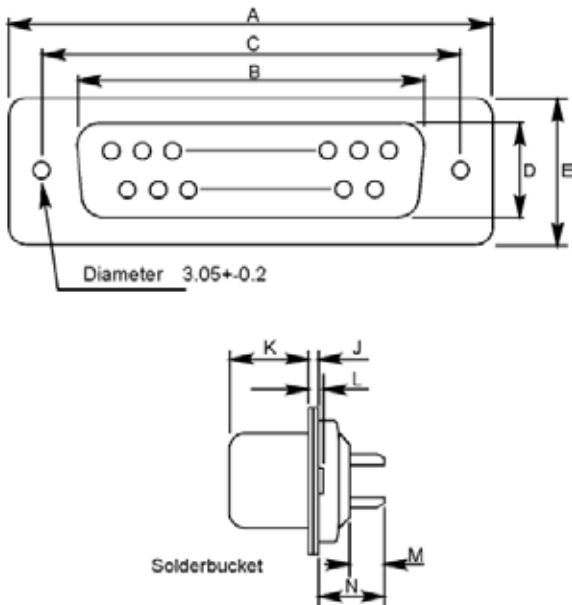
Sub D Connectors with built-in capacitors, which provide excellent attenuation of EMI and RFI. The connectors are available with 9, 15, 25, 37 and 50 ways, plug or socket, in standard solder solder bucket, Straight - PCB mount and 90 degree PCB mount versions.

Contacts	Gold plated turned copper alloy
Shell	Tin plated steel (plugs have contact dimples)
Minimum number of insertions	500
Contact resistance	Maximum 10mΩ
Current rating	5A
Working voltage	100V
Capacitance	1nF (other values available on request)
Tolerance of capacitance	-20/+80%
Temperature range	-55°C to 85°C

Typical Loss vs. Frequency (50 ohm line)



FILTERED SOLDER - STANDARD PROFILE

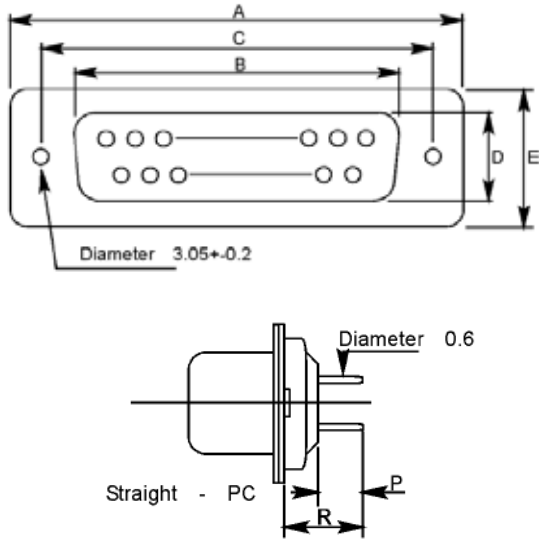


WAYS		A ± 0.4	B ± 0.3	C ± 0.2	D ± 0.3	K ± 0.3
9.0	Plug Socket	30.8	17.7 16.3	25.9	9.1 7.8	6.0 6.2
15.0	Plug Socket	39.6	26.0 24.6	33.3	9.1 7.8	6.0 6.2
25.0	Plug Socket	53.0	40.2 38.3	47.0	9.6 7.8	5.9 6.2
37.0	Plug Socket	69.3	56.7 54.8	63.5	9.6 7.8	5.9 6.2

E	12.5 ± 0.4
J	1.0 ± 0.3
L	1.5 ± 0.4
M	min 1.5
N	7.2 ± 0.4
P	min 3.0
R	9.5 ± 0.4
S	11.25 ± 0.6
T	9.4 ± 0.3
U	2.54 ± 0.2

Part Number	No. of ways and capacitance	Type
B-2FC09P	9x1nF -20+80%	Plug
B-2FC09S	9x1nF -20+80%	Socket
B-2FC15P	15x1nF -20+80%	Plug
B-2FC15S	15x1nF -20+80%	Socket
B-2FC25P	25x1nF -20+80%	Plug
B-2FC25S	25x1nF -20+80%	Socket
B-2FC37P	37x1nF -20+80%	Plug
B-2FC37S	37x1nF -20+80%	Socket

FILTERED STRAIGHT, PCB MOUNT - STANDARD PROFILE

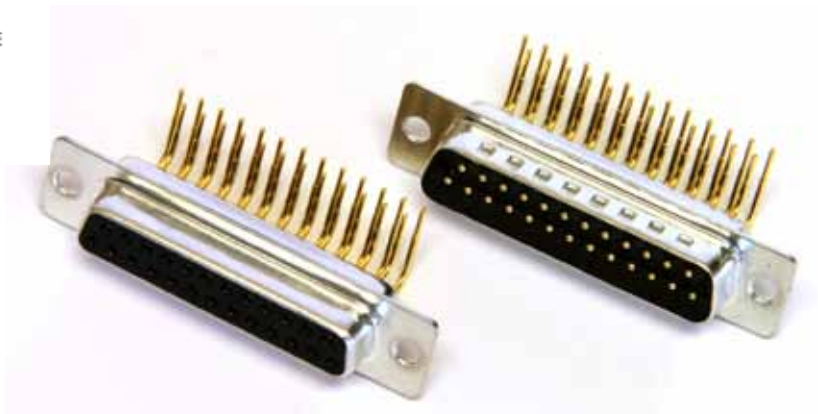
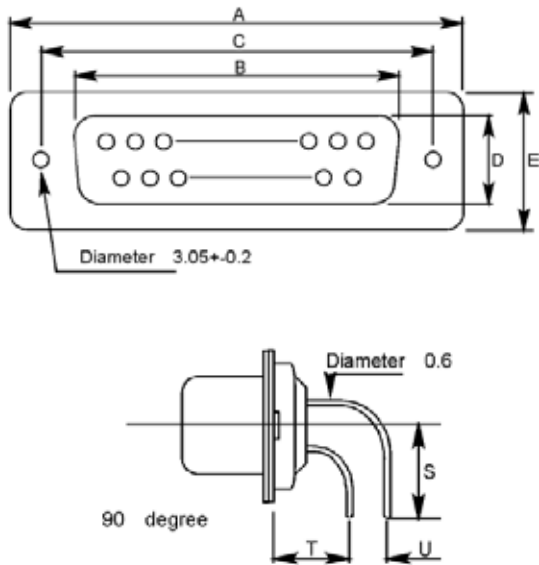


WAYS		A ± 0.4	B ± 0.3	C ± 0.2	D ± 0.3	K ± 0.3
9.0	Plug	30.8	17.7	25.9	9.1	6.0
	Socket		16.3		7.8	6.2
15.0	Plug	39.6	26.0	33.3	9.1	6.0
	Socket		24.6		7.8	6.2
25.0	Plug	53.0	40.2	47.0	9.6	5.9
	Socket		38.3		7.8	6.2
37.0	Plug	69.3	56.7	63.5	9.6	5.9
	Socket		54.8		7.8	6.2

E	12.5 ± 0.4
J	1.0 ± 0.3
L	1.5 ± 0.4
M	min 1.5
N	7.2 ± 0.4
P	min 3.0
R	9.5 ± 0.4
S	11.25 ± 0.6
T	9.4 ± 0.3
U	2.54 ± 0.2

Part Number	No. of ways and capacitance	Type
B-2FC09P1	9x1nF -20+80&	Plug
B-2FC09S1	9x1nF -20+80&	Socket
B-2FC15P1	15x1nF -20+80&	Plug
B-2FC15S1	15x1nF -20+80&	Socket
B-2FC25P1	25x1nF -20+80&	Plug
B-2FC25S1	25x1nF -20+80&	Socket
B-2FC37P1	37x1nF -20+80&	Plug
B-2FC37S1	37x1nF -20+80&	Socket

FILTERED RIGHT ANGLE, PCB MOUNT - STANDARD PROFILE



WAYS		A ± 0.4	B ± 0.3	C ± 0.2	D ± 0.3	K ± 0.3
9.0	Plug	30.8	17.7	25.9	9.1	6.0
	Socket		16.3		7.8	6.2
15.0	Plug	39.6	26.0	33.3	9.1	6.0
	Socket		24.6		7.8	6.2
25.0	Plug	53.0	40.2	47.0	9.6	5.9
	Socket		38.3		7.8	6.2
37.0	Plug	69.3	56.7	63.5	9.6	5.9
	Socket		54.8		7.8	6.2

E	12.5 ± 0.4
J	1.0 ± 0.3
L	1.5 ± 0.4
M	min 1.5
N	7.2 ± 0.4
P	min 3.0
R	9.5 ± 0.4
S	11.25 ± 0.6
T	9.4 ± 0.3
U	2.54 ± 0.2

Part Number	No. of ways and capacitance	Type
B-2FC09P5	9x1nF -20+80&	Plug
B-2FC09S5	9x1nF -20+80&	Socket
B-2FC15P5	15x1nF -20+80&	Plug
B-2FC15S5	15x1nF -20+80&	Socket
B-2FC25P5	25x1nF -20+80&	Plug
B-2FC25S5	25x1nF -20+80&	Socket
B-2FC37P5	37x1nF -20+80&	Plug
B-2FC37S5	37x1nF -20+80&	Socket

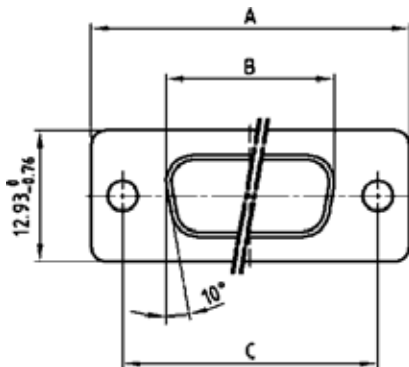
MIXED LAYOUT D-SUB WITHOUT CONTACTS



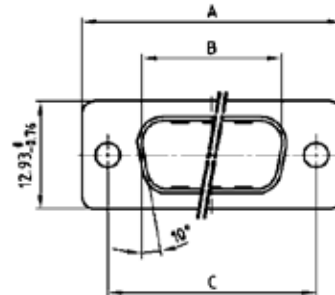
Design	Mounting Style	Socket	Plug
3W3	Through-hole	3003W3SXX99A10X	3003W3PXX99A10X
5W5	Through-hole	3005W5SXX99A10X	3005W5PXX99A10X
8W8	Through-hole	3008W8SXX99A10X	3008W8PXX99A10X
2W2C	Through-hole (Coded)	302W2CSXX99A10X	302W2CPXX99A10X
3W3C	Through-hole (Coded)	303W3CSXX99A10X	303W3CPXX99A10X
3W3	Threaded insert	3003W3SXX99A30X	3003W3PXX99A30X
5W5	Threaded insert	3005W5SXX99A30X	3005W5PXX99A30X
8W8	Threaded insert	3008W8SXX99A30X	3008W8PXX99A30X
2W2C	Threaded insert (Coded)	302W2CSXX99A30X	302W2CPXX99A30X
3W3C	Threaded insert (Coded)	303W3CSXX99A30X	303W3CPXX99A30X

- Suitable for wire size AWG20
- Precision machined contacts
- Shell: Steel tin plated

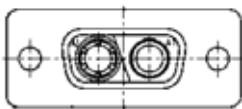
SOCKET CONNECTOR



PLUG CONNECTOR



CODED SOCKET CONNECTORS

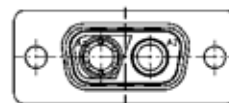


2W2C = 1 Socket - 1 Plug

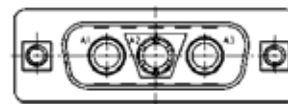


3W3C = 2 Sockets - 1 Plug

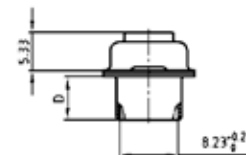
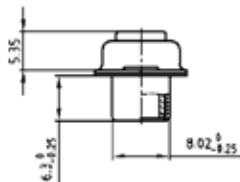
CODED PLUG CONNECTORS



2W2C = 1 Plug - 1 Socket



3W3C = 2 Plugs - 1 Socket



Shellsize	A	B	C
1	31,19	16,46	25,00
2	39,52	24,79	33,30
3	53,42	38,50	47,04
4	69,70	54,96	63,50

Shellsize	A	B	C	D
1	31,19	16,79	25,00	6,12
2	39,52	25,12	33,30	6,12
3	53,42	38,84	47,04	5,99
4	69,70	55,30	63,50	5,99

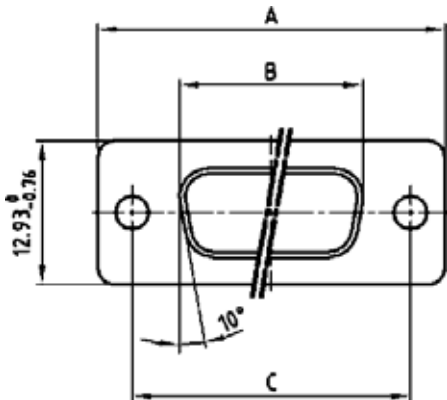
MIXED LAYOUT D-SUB WITH SOLDER SIGNAL CONTACTS



- Designs 2W2C, 3W3, 3W3C, 5W5, 8W8
- Mounting style, through hole

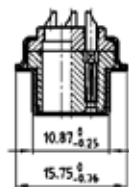
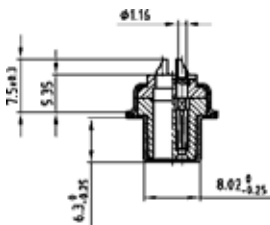
Design	Socket	Plug
5W1	3005W1SAM99A10X	3005W1PAM99A10X
7W2	3007W2SAM99A10X	3007W2PAM99A10X
11W1	3011W1SAM99A10X	3011W1PAM99A10X
9W4	3009W4SAM99A10X	3009W4PAM99A10X
13W3	3013W3SAM99A10X	3013W3PAM99A10X
17W2	3017W2SAM99A10X	3017W2PAM99A10X
21W1	3021W1SAM99A10X	3021W1PAM99A10X
13W6	3013W6SAM99A10X	3013W6PAM99A10X
17W5	3017W5SAM99A10X	3017W5PAM99A10X
21WA4	321WA4SAM99A10X	321WA4PAM99A10X
25W3	3025W3SAM99A10X	3025W3PAM99A10X
27W2	3027W2SAM99A10X	3027W2PAM99A10X
24W7	3024W7SAM99A10X	3024W7PAM99A10X
36W4	3036W4SAM99A10X	3036W4PAM99A10X
43W2	3043W2SAM99A10X	3043W2PAM99A10X
47W1	3047W1SAM99A10X	3047W1PAM99A10X

SOCKET CONNECTOR

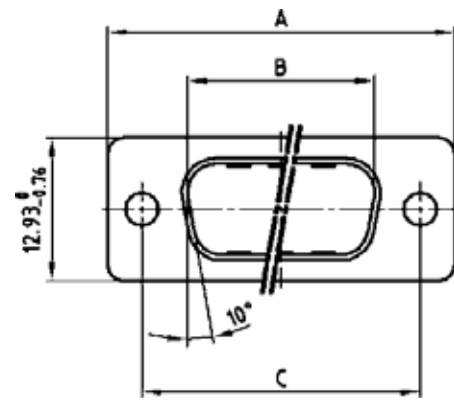


SHELL SIZE 1-4

SHELL SIZE 5

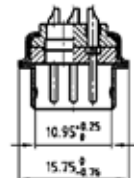
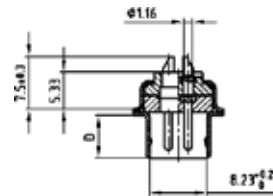


PLUG CONNECTOR



SHELL SIZE 1-4

SHELL SIZE 5



Shellsize	A	B	C
1	31,19	16,46	25,00
2	39,52	24,79	33,30
3	53,42	38,50	47,04
4	69,70	54,96	63,50
5	67,31	52,55	61,10

Shellsize	A	B	C	D
1	31,19	16,79	25,00	6,12
2	39,52	25,12	33,30	6,12
3	53,42	38,84	47,04	5,99
4	69,70	55,30	63,50	5,99
5	67,31	52,68	61,10	5,99

MIXED LAYOUT, HIGH POWER CONTACT, SOLDER, STRAIGHT



- Precision Machined Contacts
- Quality Class 3: 50 mating cycles
- Quality Class 1: 500 mating cycles

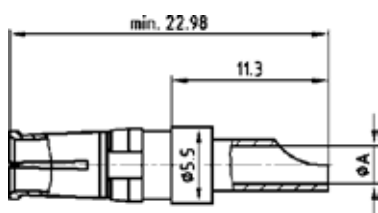
SOCKET CONTACT

AWG	Quality class	Part Number gold plated
16..20	1	132C10019X
16..20	3	132A10019X
12..14	1	132C10029X
12..14	3	132A10029X
10..12	1	132C10039X
10..12	3	132A10039X
8..10	1	132C10049X
8..10	3	132A10049X

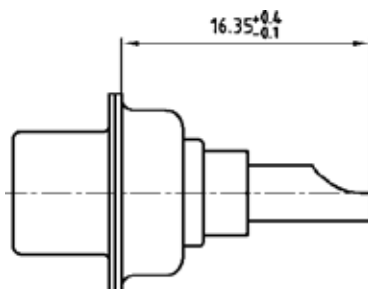
PLUG CONTACT

AWG	Quality class	Part Number gold plated
16..20	1	131C10019X
16..20	3	131A10019X
12..14	1	131C10029X
12..14	3	131A10029X
10..12	1	131C10039X
10..12	3	131A10039X
8..10	1	131C10049X
8..10	3	131A10049X

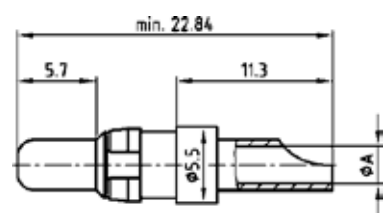
SOCKET CONTACT



INSTALLATION DIMENSION

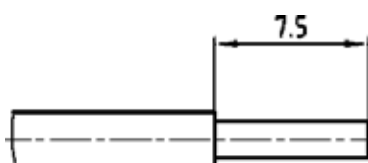


PLUG CONTACT

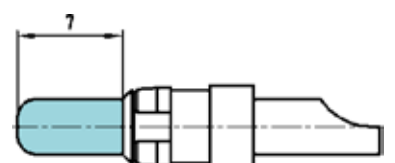


AWG	Current rating	ØA+0.15
16-20	10A	1.80
12-14	20A	2.70
10-12	30A	3.50
8-10	40A	4.80

WIRE STRIPPING



PREMATING CONTACT



MIXED LAYOUT, CRIMP CONTACTS, STRAIGHT



- For wire size 20-24 and 26-28
- Quality Class 3: 50 mating cycles
- Quality Class 1: 500 mating cycles

SOCKET CONTACT

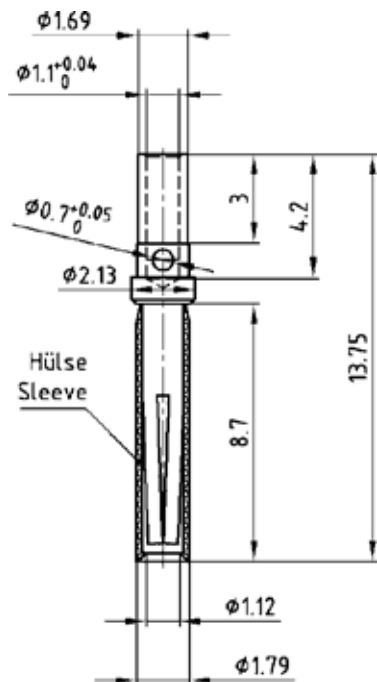
Contact type	AWG	Quality class	Part Number
Socket*/Closed entry	20..24	1	132C15019X
Socket*/Closed entry	26..28	1	132C15029X
Socket/Standard	20..24	3	162A18709X
Socket/Standard	26..28	3	162A18719X

* Preferred Type

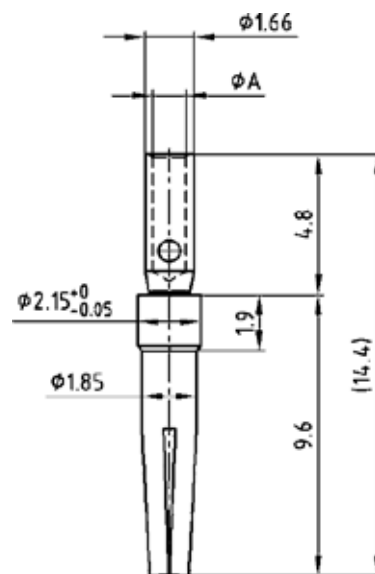
PLUG CONTACT

Contact type	AWG	Quality class	Part Number
Plug/Standard	20..24	1	131C15019X
Plug/Standard	26..28	1	131C15029X
Plug/Standard	20..24	3	131A15019X
Plug/Standard	26..28	3	131A15029X

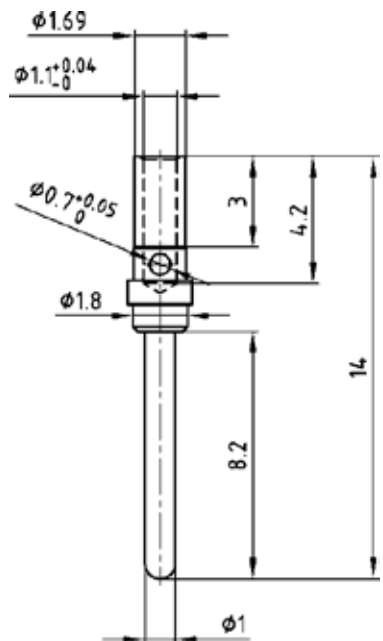
SIGNAL SOCKET CRIMP CONTACT
(Closed entry version)



SIGNAL SOCKET CRIMP CONTACT
(Standard version)



SIGNAL PLUG CRIMP CONTACT
(Standard version)



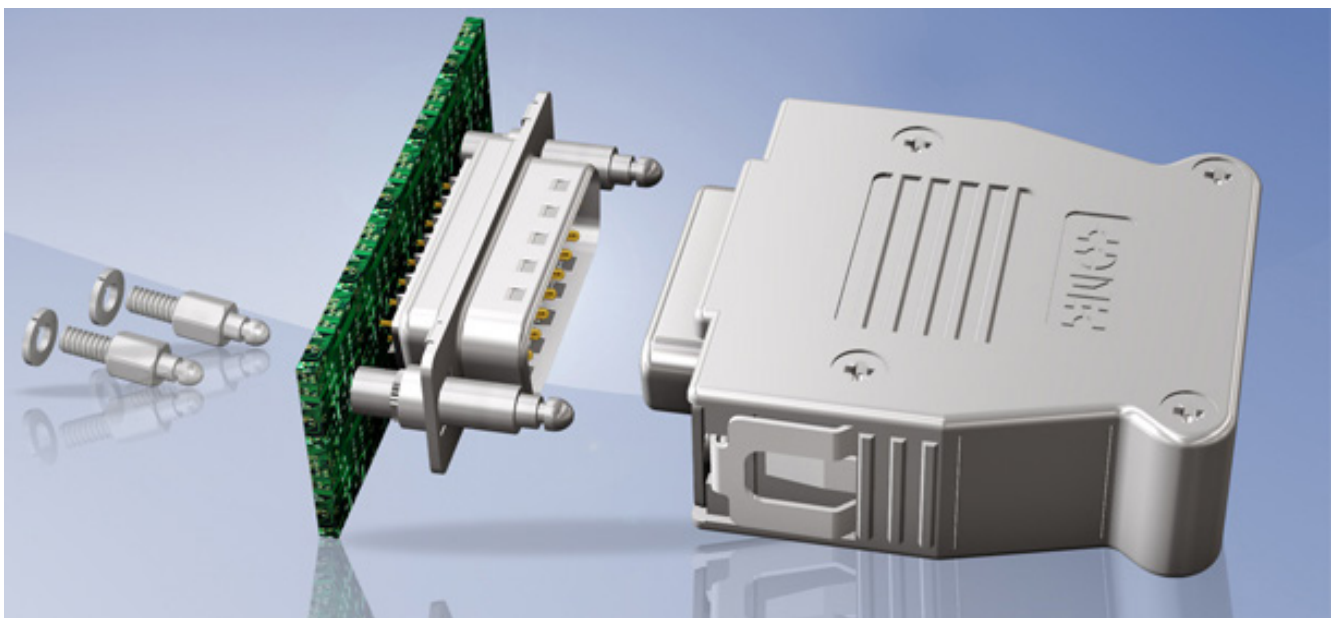
SNAPLOCK CONNECTORS, PCB MOUNT, STRAIGHT

FEATURES

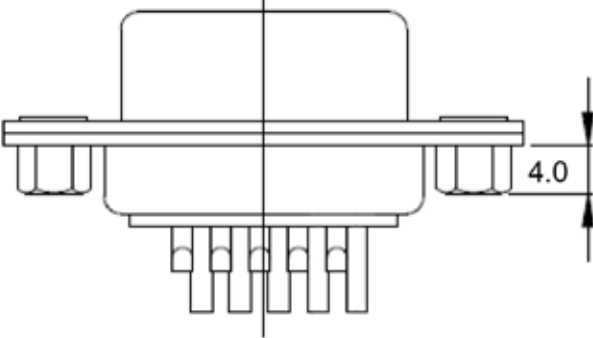
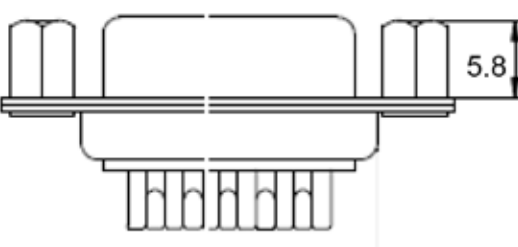
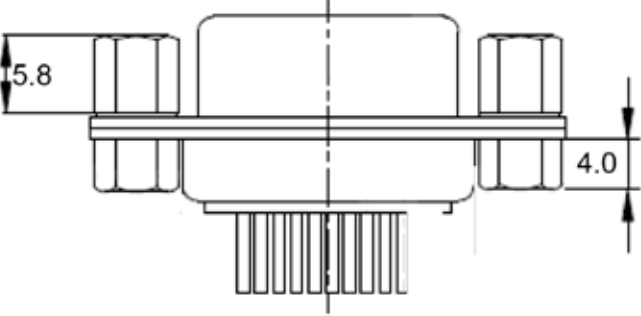
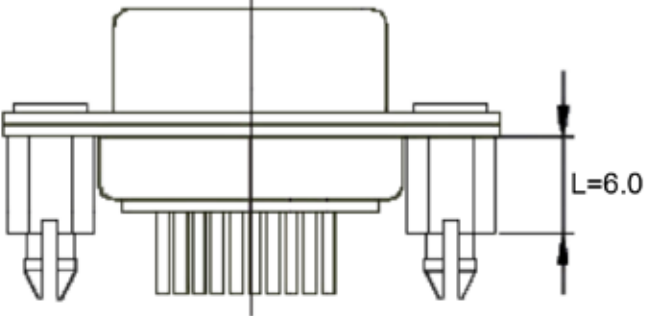
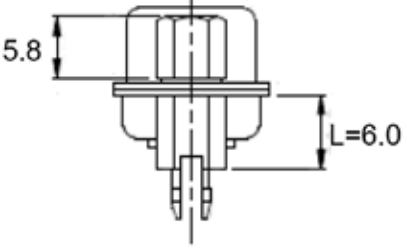
- Snaplock Hardware fitted to mating side
- Threaded rear spacer on termination side
- PCB fastening via PCB Clip
- Straight solder contact
- Insulator is black



SIZE	PART NUMBERS - FEMALE	PART NUMBERS - MALE
9	16-002143	16-002093
15	16-002153	16-002103
25	16-002163	16-002113
37	16-002173	16-002123
50	16-002183	16-002133



MOUNTING ACCESSORIES

	<p>Part Number Suffix: K</p> <p>Bottom side riveted UNC 4-40 Clinch Nuts</p>
	<p>Part Number Suffix: J</p> <p>Top side riveted UNC 4-40 Jack Screw</p>
	<p>Part Number Suffix: KJ</p> <p>Top side riveted UNC 4-40 Jack Screw Bottom side riveted UNC 4-40 Clinch Nuts</p>
	<p>Part Number Suffix: BR</p> <p>Bottom side riveted UNC 4-40 Clinch Nuts with PCB Boardlocks</p>
	<p>Part Number Suffix: BRJ</p> <p>Top side riveted UNC 4-40 Jack Screw Bottom side riveted UNC 4-40 Clinch Nuts with PCB Boardlocks</p>

IP67 WATER RESISTANT SUB D HOODS WITH SOLDER CONNECTOR

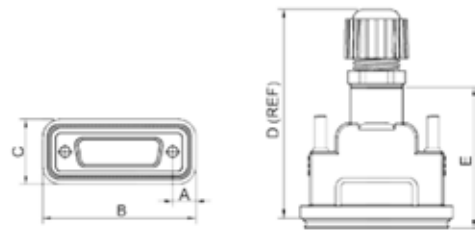
TECHNICAL SPECIFICATIONS

Connector Body: PBT, UL-recognised
 Connector Pin: Brass, Gold Flash
 Connector Shell: Steel, Ni Plated
 Operating Temperature: -40°C to +105°C
 Cable Entry: Top
 Thumbscrews: UNC 4-40
 Waterproof: IP67



ELECTRICAL SPECIFICATIONS

Contact Resistance: < 20mOhm
 Insulation Resistance: > 500Mohm at DC 500V
 Current Rating: 5A (Standard D-Sub)
 Breakdown Voltage: > AC 500V/rms, 60Hz/1 minute



Size	Product Code-Plug	Product Code-Socket
9-way	SDB-09BMMA-SL7001	SDB-09BFFA-SL7001
15-way	SDB-15BMMA-SL7001	SDB-15BFFA-SL7001
25-way	SDB-25BMMA-SL7001	SDB-25BFFA-SL7001

Size	Dim A	Dim B	Dim C	Dim D	Dim E
9-way	8,0	39,4	21,0	39,0	32,3
15-way	8,0	50,6	21,0	43,2	32,3
25-way	8,0	64,5	21,0	55,0	32,3

IP67 WATER RESISTANT SUB D CONNECTORS, STANDARD SOLDER

TECHNICAL SPECIFICATIONS

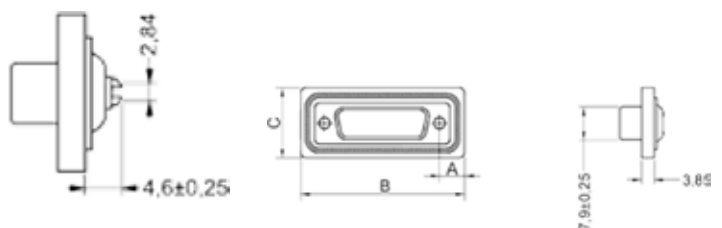
Connector Body: PBT, UL-recognised
 Connector Pin: Brass, Gold Flash
 Connector Shell: Steel, Ni Plated
 Operating Temperature: -40°C to +105°C
 Cable Entry: Straight or Angled
 Thumbscrews: UNC 4-40
 Waterproof: IP68



ELECTRICAL SPECIFICATIONS

Contact Resistance: < 20mOhm
 Insulation Resistance: > 500Mohm at DC 500V
 Current Rating: 5A (Standard D-Sub)
 Breakdown Voltage: > AC 500V/rms, 60Hz/1 minute

Standard D-Sub Connectors: Solder



Size	Product Code-Plug	Product Code-Socket
9-way	SDB-09PMMS-SL8001	SDB-09PFFS-SL8001
15-way	SDB-15PMMS-SL8001	SDB-15PFFS-SL8001
25-way	SDB-25PMMS-SL8001	SDB-25PFFS-SL8001

Size	Dim A	Dim B	Dim C
9-way	7,2	39,4	21,0
15-way	7,2	47,7	21,0
25-way	8,5	64,0	21,0

ONE PIECE SNAP TOGETHER HOODS

DPPK SERIES

TECHNICAL SPECIFICATIONS

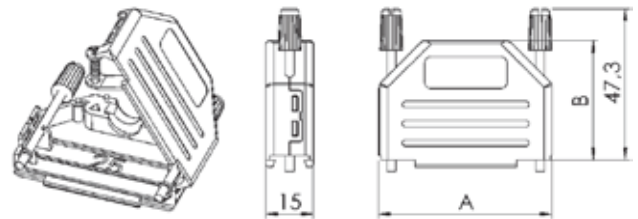
Material: Nylon UL94 V-2
 Temperature range: -55°C to 105°C
 Cable strain relief: Cable clamp with self-tapping screws
 Cable diameter: 3.0 - 11.0 mm
 Locking screws: Long jackscrews with moulded top for colour coding
 Cable outlet: Straight



FEATURES

- Available in sizes 9-15-25-37-50
- Hinged single piece moulding with retaining latches
- Light weight and cost effective
- Compact and attractive design
- Company logotype available upon request
- Long jackscrews with UNC 4-40 thread as standard, M2.5, M2.6 or M3.0 as option
- For custom designed solutions, please consult factory

Size	Dim A	Dim B	Dim C
9-way	32,4	31,3	15,0
15-way	40,7	30,8	15,0
25-way	54,4	37,3	15,0
37-way	70,9	36,0	15,0
50-way	67,5	40,0	15,0



Black



Size	Product Code
9-way	DPPK09-BK-K
15-way	DPPK15-BK-K
25-way	DPPK25-BK-K
37-way	DPPK37-BK-K
50-way	DPPK50-BK-K

Blue



Size	Product Code
9-way	DPPK09-B-K
15-way	DPPK15-B-K
25-way	DPPK25-B-K
37-way	DPPK37-B-K
50-way	DPPK50-B-K

Light Grey



Size	Product Code
9-way	DPPK09-LG-K
15-way	DPPK15-LG-K
25-way	DPPK25-LG-K
37-way	DPPK37-LG-K
50-way	DPPK50-LG-K

Yellow



Size	Product Code
9-way	DPPK09-Y-K
15-way	DPPK15-Y-K
25-way	DPPK25-Y-K
37-way	DPPK37-Y-K
50-way	DPPK50-Y-K

DEC Grey



Size	Product Code
9-way	DPPK09-DEC-K
15-way	DPPK15-DEC-K
25-way	DPPK25-DEC-K
37-way	DPPK37-DEC-K
50-way	DPPK50-DEC-K

Green



Size	Product Code
9-way	DPPK09-G-K
15-way	DPPK15-G-K
25-way	DPPK25-G-K
37-way	DPPK37-G-K
50-way	DPPK50-G-K

Red



Size	Product Code
9-way	DPPK09-R-K
15-way	DPPK15-R-K
25-way	DPPK25-R-K
37-way	DPPK37-R-K
50-way	DPPK50-R-K

White



Size	Product Code
9-way	DPPK09-W-K
15-way	DPPK15-W-K
25-way	DPPK25-W-K
37-way	DPPK37-W-K
50-way	DPPK50-W-K

SCREW TOGETHER HOODS TOP ENTRY

OS-DTPPK SERIES

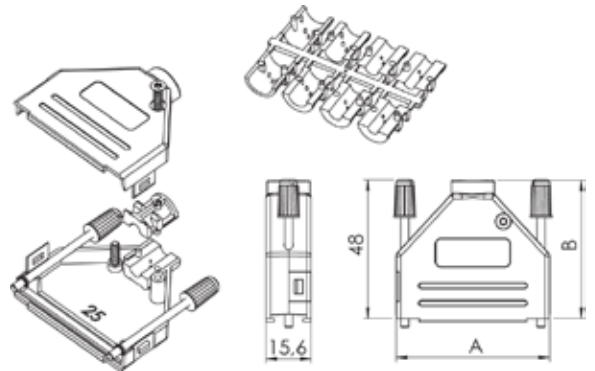
TECHNICAL SPECIFICATIONS

Material: Polycarbonate UL94 V-0
 Temperature range: -55°C to +105°C
 Cable strain relief: Grommets 4,5,7 and 9mm, Polycarbonate UL94 V-0
 Cable diameter: 3.0 - 13.0 mm
 Locking screws: Long jackscrews with moulded plastic knob for colour coding. UNC4-40 as standard. M2.5, M2.6 and M3.0 are optional
 Cable outlet: Straight

FEATURES

- Available in sizes 9-15-25-37
- Lightweight and cost effective
- Compact and attractive design
- Re-openable
- Company logotype available upon request
- Long jackscrews with UNC 4-40 thread as standard, M2.5, M2.6 or M3.0 are optional
- For custom designed solutions, please consult factory
- Other colours available on request

Size	Product Code	Size	Dim A	Dim B
9-way	OS-DTPPK9-K	9-way	31,0	38,3
15-way	OS-DTPPK15-K	15-way	39,3	40,5
25-way	OS-DTPPK25-K	25-way	53,0	47,8
37-way	OS-DTPPK37-K	37-way	69,5	52,2



SCREW TOGETHER HOODS 45° ENTRY

OS-DVPK SERIES

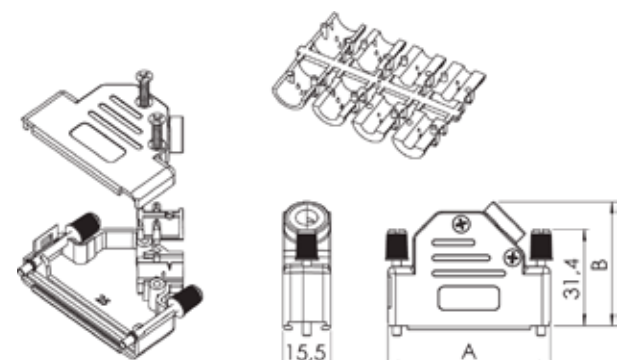
TECHNICAL SPECIFICATIONS

Material: Polycarbonate UL94 V-0
 Temperature range: -55°C to +105°C
 Cable strain relief: Grommets 4,5,7 and 9mm, Polycarbonate UL94 V-0
 Cable diameter: 3.0 - 13.0 mm
 Locking screws: UNC4-40 and M3.0 long jackscrews with moulded plastic knob for colour coding. M2.5 and M2.6 solid metal jackscrews.
 Cable outlet: Angled

FEATURES

- Available in sizes 9-15-25-37
- Lightweight and cost effective
- Compact and attractive design
- Re-openable
- Company logotype available upon request
- Long jackscrews with UNC 4-40 thread as standard, M2.5, M2.6 or M3.0 are optional
- For custom designed solutions, please consult factory
- Other colours available on request

Size	Product Code	Size	Dim A	Dim B
9-way	OS-DVPK9-K	9-way	31,0	36,2
15-way	OS-DVPK15-K	15-way	39,3	40,2
25-way	OS-DVPK25-K	25-way	53,0	40,2
37-way	OS-DVPK37-K	37-way	69,5	40,2



SCREW TOGETHER HOODS, TOP ENTRY

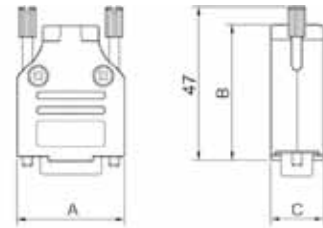
DTPPK SERIES

TECHNICAL SPECIFICATIONS

Material: UL 94 V-0 Plastic Material
 Operating Temperature: -55°C to +110°C
 Cable Entry: Top
 Thumbscrews: UNC 4-40 (standard)
 M2.5, M2.6 or M3.0 on request
 Cable Diameter: Up to 13 mm
 Colour: Black

FEATURES

- Available in sizes 9-15-25-37
- Suitable for any common Sub-D connector
- Re-openable
- Strain relief inserts ensure a secure termination
- Also available in Metalized version



Size	Product Code
9-way	DTPPK9-K
15-way	DTPPK15-K
25-way	DTPPK25-K
37-way	DTPPK37-K

Size	Dim A	Dim B	Dim C
9-way	31,2	39,9	15,0
15-way	39,5	41,5	15,0
25-way	53,4	48,6	15,0
37-way	69,7	53,6	15,0

SCREW TOGETHER HOODS, 45° ENTRY

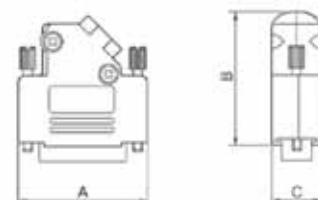
D45PPK SERIES

TECHNICAL SPECIFICATIONS

Material: UL 94 V-0 Plastic Material
 Operating Temperature: -55°C to +110°C
 Cable Entry: Side
 Thumbscrews: UNC 4-40 (standard)
 M2.5, M2.6 or M3.0 on request
 Cable Diameter: Up to 13 mm
 Colour: Black

FEATURES

- Available in sizes 9-15-25-37
- Suitable for any common Sub-D connector
- Re-openable
- Strain relief inserts ensure a secure termination
- Also available in Metalized version



Size	Product Code
9-way	D45PPK9-K
15-way	D45PPK15-K
25-way	D45PPK25-K
37-way	D45PPK37-K

Size	Dim A	Dim B	Dim C
9-way	31,0	36,3	15,0
15-way	39,5	40,3	15,0
25-way	53,2	40,3	15,0
37-way	69,7	40,3	15,0

3-WAY ENTRY HOODS, SHORT THUMBSCREWS

CAS SERIES



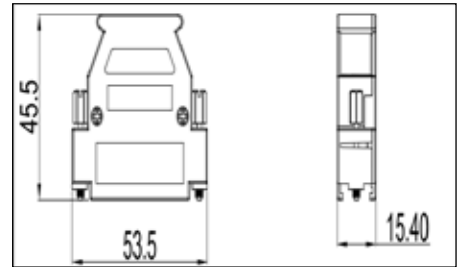
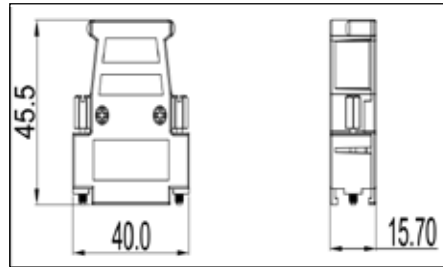
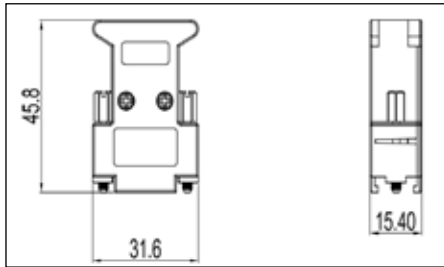
9-WAY



15-WAY



25-WAY



FEATURES

- Manufactured using UL94V-0 Rated ABS
- Supplied with Blanking Plates, Clamp, Screws for complete flexibility
- Pre-fitted short UNC4-40 mild steel, zinc plated Jackscrews
- Other Jackscrew thread sizes available on request
- If you require longer Jackscrews please see CAL-Series
- If you require Shielded Hoods then please see CAMS and CAML-Series

Size	Product Code
9-way	CAS09-K
15-way	CAS15-K
25-way	CAS25-K

3-WAY ENTRY HOODS, LONG THUMBSCREWS

CAL SERIES



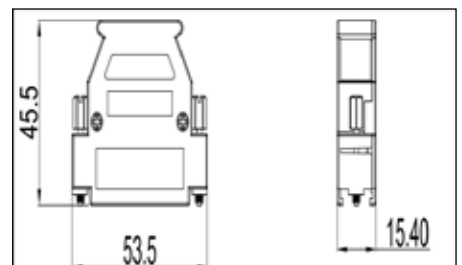
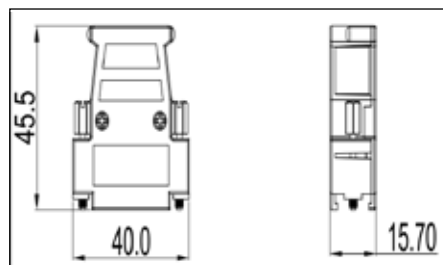
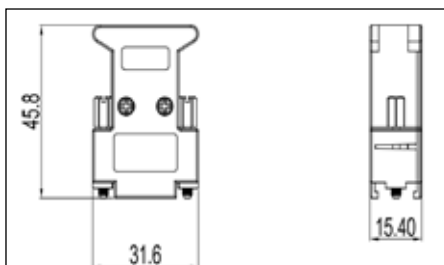
9-WAY



15-WAY



25-WAY



FEATURES

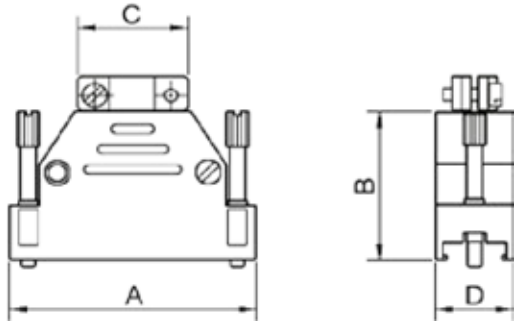
- Manufactured using UL94V-0 Rated ABS
- Supplied with Blanking Plates, Clamp, Screws for complete flexibility
- Pre-fitted long UNC4-40 mild steel, zinc plated Jackscrews
- Other Jackscrew thread sizes available on request
- If you require short Jackscrews please see CAS-Series
- If you require Shielded Hoods then please see CAMS and CAML-Series

Size	Product Code
9-way	CAL09-K
15-way	CAL15-K
25-way	CAL25-K

SCREW TOGETHER HOODS WITH EXTERNAL CABLE CLAMP

TECHNICAL SPECIFICATIONS

Material: UL 94 V-0 Plastic Material
 Operating Temperature: -55°C to +110°C
 Cable Diameter: Up to 9 mm
 Colour: Black
 Jackscrew: UNC 4-40



Size	Dim A	Dim B	Dim C	Dim D
9-way	31,4	24,0	14,5	18,2
15-way	42,0	30,0	14,5	18,2
25-way	55,5	36,0	25,1	18,2
37-way	69,8	38,0	39,2	18,2

Size	Product Code
9-way	D-09T
15-way	D-15T
25-way	D-25T
37-way	D-37T

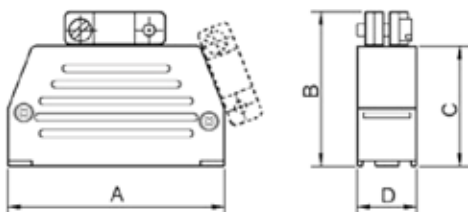
SCREW TOGETHER HOODS, SLIDELOCK VERSION

TECHNICAL SPECIFICATIONS

Material: UL 94 V-0 Plastic Material
 Operating Temperature: -55°C to +110°C
 Cable Diameter: Up to 9 mm
 Colour: Black

FEATURES

- Slide-Lock system integrated inside hood with special spring and slide lever
- Hoods are supplied complete with Slide-Lock system



Size	Dim A	Dim B	Dim C	Dim D
9-way	32,2	28,6	22,1	15,0
15-way	39,8	34,1	26,1	15,0
25-way	54,2	38,3	30,3	15,0
37-way	70,7	46,2	38,2	15,0
50-way	68,0	46,2	38,2	18,0

Size	Product Code
9-way	DS09S
15-way	DS15S
25-way	DS25S
37-way	DS37S
50-way	DS50S

SCREW TOGETHER HOODS, 3-WAY ENTRY

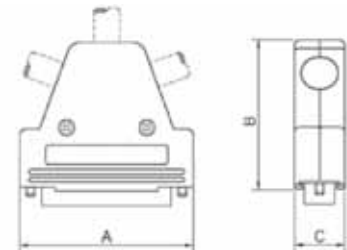
TRI-P SERIES

TECHNICAL SPECIFICATIONS

Material: UL 94 V-0 Plastic Material
 Operating Temperature: -55°C to +110°C
 Cable Entry: Side/Top/Side
 Thumbscrews: UNC 4-40 (standard)
 M2.5, M2.6 or M3.0 on request
 Cable Diameter: Up to 11.5 mm
 Colour: Black

FEATURES

- Available in sizes 9-15-25-37
- All sizes feature 3-Way Entry solution
- Re-openable
- Hood is supplied with 2 Blanking Plates and 2 Strain Relief Clamps. Extra Blanking Plates and/or Strain Reliefs are available on request
- Also available in Metalized version



Size	Product Code
9-way	TRI-P-09-K
15-way	TRI-P-15-K
25-way	TRI-P-25-K
37-way	TRI-P-37-K

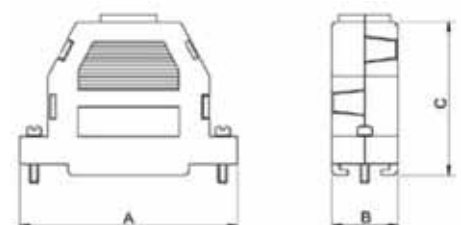
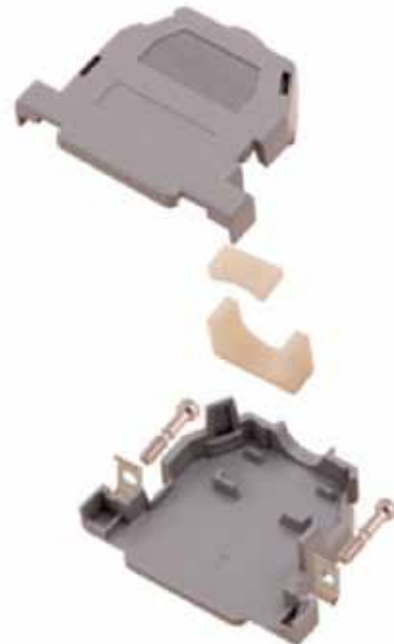
Size	Dim A	Dim B	Dim C
9-way	31,0	45,2	15,0
15-way	40,3	45,2	15,0
25-way	53,5	45,2	15,0
37-way	70,0	45,2	15,0

ECONOMY TWO PIECE SNAP TOGETHER HOODS

CCOV-SN SERIES

TECHNICAL SPECIFICATIONS

Material: UL Recognised Plastic Material
 Operating Temperature: -55°C to +110°C
 Cable Entry: Top
 Thumbscrews: UNC 4-40 (standard)
 Cable Diameter: Up to 11.5 mm
 Colour: Black or Light Grey



Size	Dim A	Dim B	Dim C
9-way	30,5	15,5	39,2
15-way	40,1	15,5	39,6
25-way	53,6	16,0	43,0

Size	Product Code
9-way	CCOV9-SN-BK
15-way	CCOV15-SN-BK
25-way	CCOV25-SN-BK

Size	Product Code
9-way	CCOV9-SN-LG
15-way	CCOV15-SN-LG
25-way	CCOV25-SN-LG

ECONOMY, SCREW TOGETHER HOODS, SHORT SCREWS

CCOV-SC SERIES

TECHNICAL SPECIFICATIONS

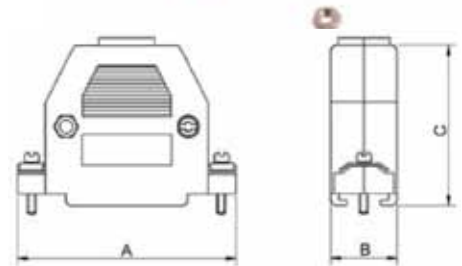
Material: UL Recognised Plastic Material
 Operating Temperature: -55°C to +110°C
 Cable Entry: Top
 Thumbscrews: UNC 4-40
 Cable Diameter: Up to 11.5 mm
 Colour: Black or Light Grey

Size	Dim A	Dim B	Dim C
9-way	31,0	16,0	40,2
15-way	39,6	17,4	38,0
25-way	55,0	16,5	44,5
37-way	69,0	24,0	52,5
50-way	69,5	19,5	44,5



Size	Product Code
9-way	CCOV9-SC-BK
15-way	CCOV15-SC-BK
25-way	CCOV25-SC-BK
37-way	CCOV37-SC-BK
50-way	CCOV50-SC-BK

Size	Product Code
9-way	CCOV9-SC-LG
15-way	CCOV15-SC-LG
25-way	CCOV25-SC-LG
37-way	CCOV37-SC-LG
50-way	CCOV50-SC-LG



ECONOMY, SCREW TOGETHER HOODS, LONG SCREWS

CCOV-SCL SERIES

TECHNICAL SPECIFICATIONS

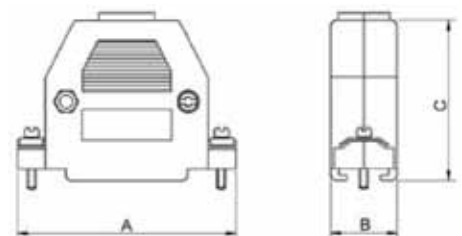
Material: UL Recognised Plastic Material
 Operating Temperature: -55°C to +110°C
 Cable Entry: Top
 Thumbscrews: UNC 4-40
 Cable Diameter: Up to 11.5 mm
 Colour: Black or Light Grey

Size	Dim A	Dim B	Dim C
9-way	31,0	16,0	40,2
15-way	39,6	17,4	38,0
25-way	55,0	16,5	44,5
37-way	69,0	24,0	52,5
50-way	69,5	19,5	44,5



Size	Product Code
9-way	CCOV9-SCL-BK
15-way	CCOV15-SCL-BK
25-way	CCOV25-SCL-BK
37-way	CCOV37-SCL-BK
50-way	CCOV50-SCL-BK

Size	Product Code
9-way	CCOV9-SCL-LG
15-way	CCOV15-SCL-LG
25-way	CCOV25-SCL-LG
37-way	CCOV37-SCL-LG
50-way	CCOV50-SCL-LG



2 PIECE SCREW TOGETHER HOODS, INTERNAL CLAMP

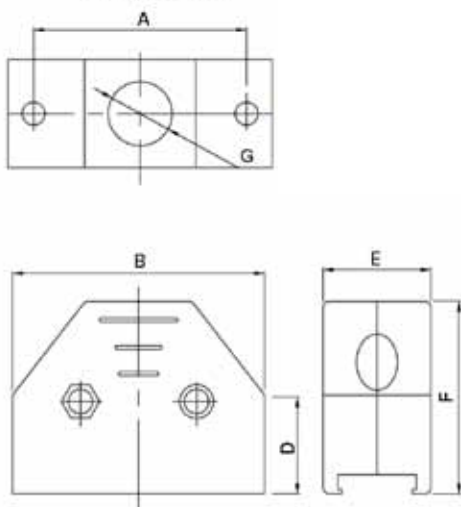
TECHNICAL SPECIFICATIONS

Material: ABS UL94 HB
 Colour: Black

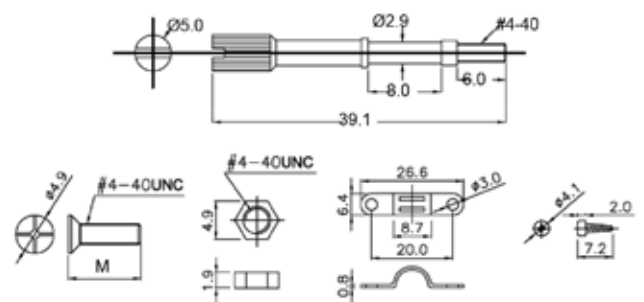
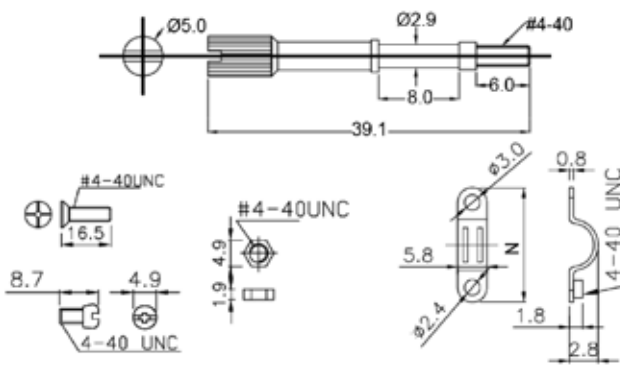
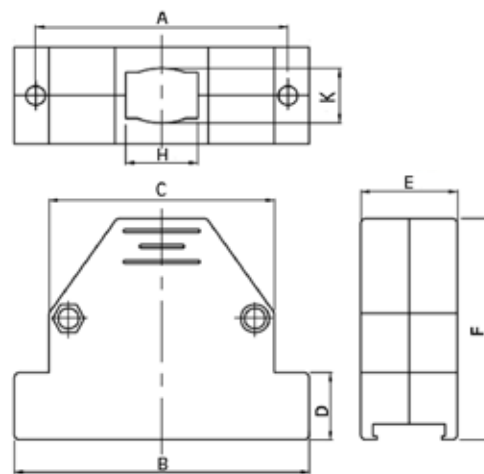
Metplas available on request



9 way , 15 way



25 way, 37 way, 50 way



Size	Dim A	Dim B	Dim C	Dim D	Dim E	Dim F	Dim G	Dim H	Dim K	Dim M	Dim N
9-way	24,99	31,5	-	15,1	16,9	30,0	Ø8,0	-	-	-	16,5
15-way	33,30	39,4	-	15,1	16,9	30,0	Ø10,0	-	-	-	19,2
25-way	47,00	55,0	42,0	13,4	18,0	41,2	-	13,4	10,2	16,5	-
37-way	63,50	70,3	56,5	14,0	18,0	47,8	-	15,7	14,0	16,5	-
50-way	61,00	69,4	53,7	14,0	21,2	49,7	-	15,8	16,9	20,0	-

Size	Product Code
9-way	CVH10-09PPTI-BK
15-way	CVH10-15PPTI-BK
25-way	CVH10-25PPTI-BK
37-way	CVH10-37PPTI-BK
50-way	CVH10-50PPTI-BK

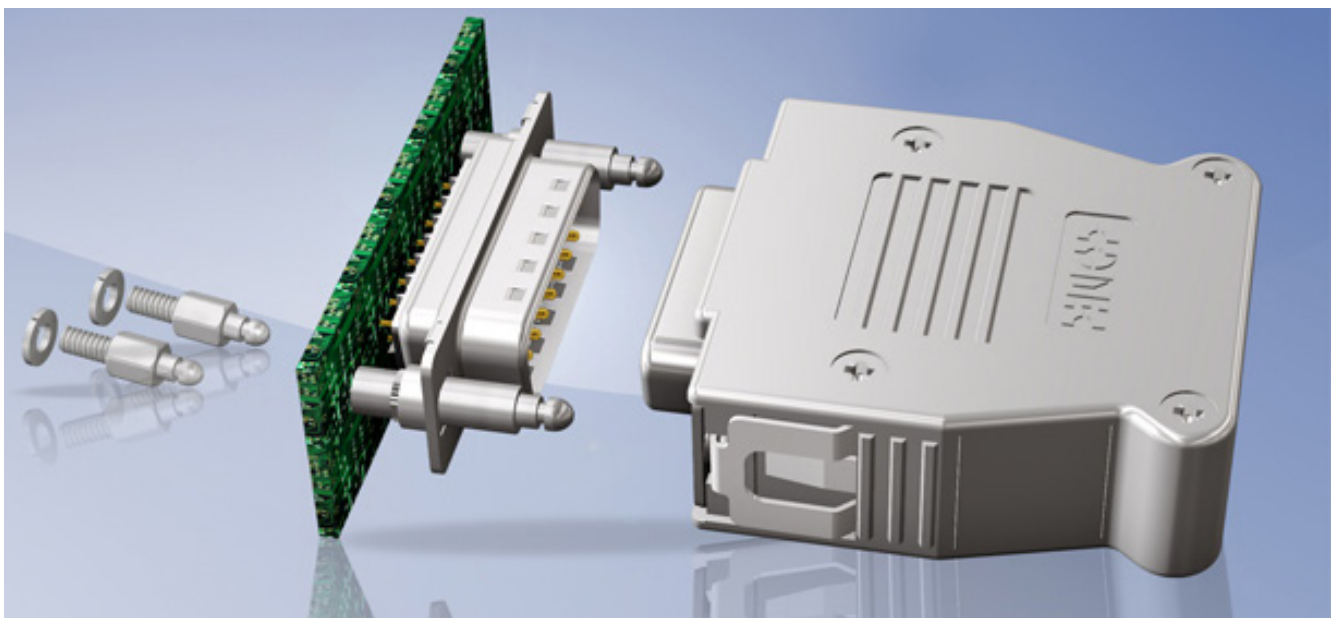
SNAPLOCK HOODS, TOP & SIDE ENTRY BLACK

FEATURES

- Quick and easy locking and unlocking
- Locking kit Hood to Hood
- Compatible with Snaplock Connectors
- 9 and 15 way are Top and 1 Side Entry
- 25, 37 and 50 way are Top and 2 Side Entry
- Cable OD 7.5 to 11mm



PART NUMBERS	SIZE
16-001810	9
16-001820	15
16-001830	25
16-001840	37
16-001850	50



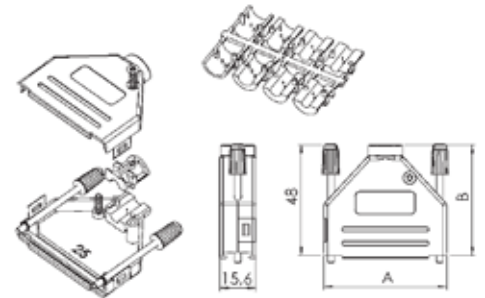
SCREW TOGETHER HOODS TOP ENTRY
OS-DTPMK SERIES
TECHNICAL SPECIFICATIONS

Material: ABS Plastic, Ni-plated
 Temperature range: -40°C to +110°C
 Cable strain relief: Polycarbonate, PC UL94 V-0
 Cable diameter: 3.0 - 13.0 mm
 Locking screws: Long jackscrews with moulded top for colour coding
 Cable outlet: Straight
 Attenuation factor: >40 dB between 30 MHz and 1 GHz

FEATURES

- Available in sizes 9-15-25-37
- Minimise interference from electromagnetic and RF sources
- Non-static parts avoid ESD problems
- Accept round foil and braided cable types
- Approved according VDE 0871, FCC 20780 and 89/336/EU
- Company logotype available upon request
- Long jackscrews with UNC 4-40 thread as standard M2.5, M2.6 or M3.0 as option
- For custom designed solutions, please consult factory

Size	Product Code	Size	Dim A	Dim B
9-way	OS-DTPMK9-K	9-way	31,0	38,3
15-way	OS-DTPMK15-K	15-way	39,3	40,5
25-way	OS-DTPMK25-K	25-way	53,0	47,8
37-way	OS-DTPMK37-K	37-way	69,5	52,2

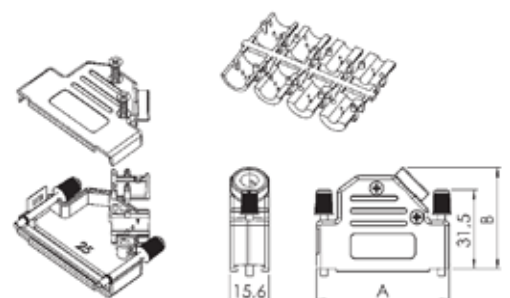

SCREW TOGETHER HOODS 45° ENTRY
OS-DVPMK SERIES
TECHNICAL SPECIFICATIONS

Material: ABS Plastic, Ni-plated
 Temperature range: -40°C to +110°C
 Cable strain relief: Polycarbonate, PC UL94 V-0
 Cable diameter: 3.0 - 13.0 mm
 Locking screws: Long jackscrews with moulded top for colour coding
 Cable outlet: Angled
 Attenuation factor: >40 dB between 30 MHz and 1 GHz

FEATURES

- Available in sizes 9-15-25-37
- Minimise interference from electromagnetic and RF sources
- Non-static parts avoid ESD problems
- Accept round foil and braided cable types
- Approved according VDE 0871, FCC 20780 and 89/336/EU
- Company logotype available upon request
- Long jackscrews with UNC 4-40 thread as standard M2.5, M2.6 or M3.0 as option
- For custom designed solutions, please consult factory

Size	Product Code	Size	Dim A	Dim B
9-way	OS-DVPMK9-K	9-way	31,0	36,2
15-way	OS-DVPMK15-K	15-way	39,3	40,2
25-way	OS-DVPMK25-K	25-way	53,0	40,2
37-way	OS-DVPMK37-K	37-way	69,5	40,2



SCREW TOGETHER HOODS TOP ENTRY

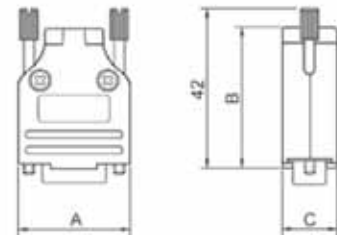
DTPK SERIES

TECHNICAL SPECIFICATIONS

Material:	UL 94 V-0 Plastic Material
Plating:	Nickel over Copper
Operating Temperature:	-55°C to +110°C
Cable Entry:	Top Entry
Thumbscrews:	UNC 4-40 (standard) M2.5, M2.6 or M3.0 on request
Cable Diameter:	Up to 13 mm

FEATURES

- Available in sizes 9-15-25-37
- Suitable for any common Sub-D connector
- Re-openable
- Strain relief inserts ensure a secure termination
- Also available in Unshielded version
- Company logo available upon request
- Recyclable



Size	Product Code
9-way	DTPK9-K
15-way	DTPK15-K
25-way	DTPK25-K
37-way	DTPK37-K

Size	Dim A	Dim B	Dim C
9-way	31,2	39,9	15,0
15-way	39,5	41,5	15,0
25-way	53,4	48,6	15,0
37-way	69,7	53,6	15,0

SCREW TOGETHER HOODS 45° ENTRY

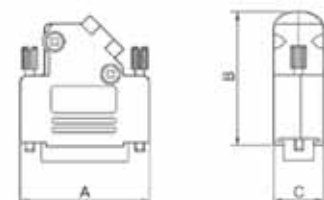
D45PK SERIES

TECHNICAL SPECIFICATIONS

Material:	UL 94 V-0 Plastic Material
Plating:	Nickel over Copper
Operating Temperature:	-55°C to +110°C
Cable Entry:	Side Entry
Thumbscrews:	UNC 4-40 (standard) M2.5, M2.6 or M3.0 on request
Cable Diameter:	Up to 13 mm

FEATURES

- Available in sizes 9-15-25-37
- Suitable for any common Sub-D connector
- Re-openable
- Strain relief inserts ensure a secure termination
- Also available in Unshielded version
- Company logo available on request
- Recyclable



Size	Product Code
9-way	D45PK9-K
15-way	D45PK15-K
25-way	D45PK25-K
37-way	D45PK37-K

Size	Dim A	Dim B	Dim C
9-way	31,0	36,3	15,0
15-way	39,5	40,3	15,0
25-way	53,2	40,3	15,0
37-way	69,7	40,3	15,0

SCREW TOGETHER HOODS, TOP ENTRY

C88E3 SERIES



TECHNICAL SPECIFICATIONS

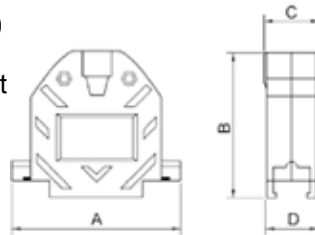
Material: UL Recognised Plastic Material
 Plating: Nickel over Copper
 Operating temperature: -40°C to +120°C
 Cable entry: Top Entry
 Thumbscrews: UNC 4-40
 Cable diameter: Up to 16.5 mm*

*For specific values - see dimensions below

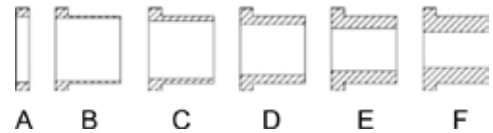


FEATURES

- Available in sizes 9-15-25-37-50
- Re-openable
- Strain Relief/Compression Insert manufactured in Thermoplastic compound



Compression Inserts - Inner Diameters:



Size	Product Code
9-way	C88E300000
15-way	C88E310000
25-way	C88E320000
37-way	C88E330000
50-way	C88E340000

Size	Dim A	Dim B	Dim C	Dim D
9-way	31,3	40,0	16,3	16,3
15-way	39,1	43,5	16,3	16,3
25-way	53,1	47,7	18,0	16,3
37-way	69,3	53,9	23,0	16,3
50-way	67,2	50,8	23,9	19,6

Size	A	B	C	D	E	F
9-way	8,10	8,00	7,25	6,50	5,30	-
15-way	8,10	8,00	7,25	6,50	5,30	-
25-way	11,40	10,40	9,40	7,60	5,80	-
37-way	16,50	15,75	14,50	12,70	10,80	8,90
50-way	16,50	15,75	14,50	12,70	10,80	8,90

SCREW TOGETHER HOODS, 45° ENTRY

C88E2 SERIES

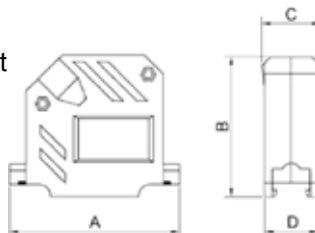


TECHNICAL SPECIFICATIONS

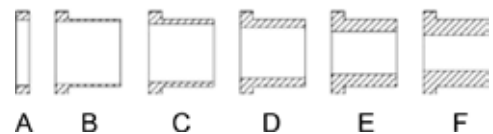
Material: UL Recognised Plastic Material
 Plating: Nickel over Copper
 Operating temperature: -40°C to +120°C
 Cable entry: Side Entry
 Thumbscrews: UNC 4-40
 Cable diameter: Up to 16.5 mm

FEATURES

- Available in sizes 9-15-25-37
- Re-openable
- Strain Relief/Compression Insert manufactured in Thermoplastic compound



Compression Inserts - Inner Diameters:



Size	Product Code
9-way	C88E200000
15-way	C88E210000
25-way	C88E220000
37-way	C88E230000

Size	Dim A	Dim B	Dim C	Dim D
9-way	31,3	40,0	16,3	16,3
15-way	39,1	43,5	16,3	16,3
25-way	53,1	47,7	18,0	16,3
37-way	69,3	53,9	23,0	16,3

Size	A	B	C	D	E	F
9-way	8,10	8,00	7,25	6,50	5,30	-
15-way	8,10	8,00	7,25	6,50	5,30	-
25-way	11,40	10,40	9,40	7,60	5,80	-
37-way	16,50	15,75	14,50	12,70	10,80	8,90



3-WAY ENTRY HOODS, SHORT THUMBSCREWS

CAMS SERIES



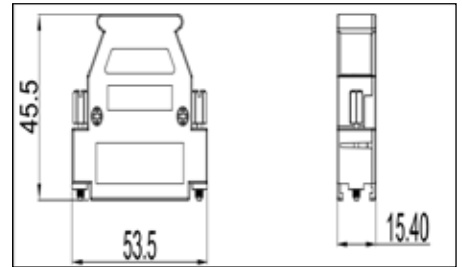
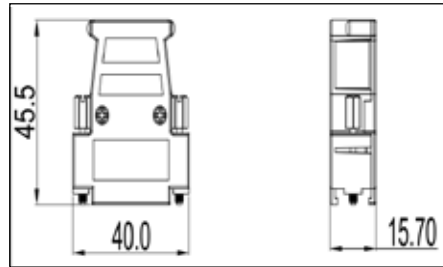
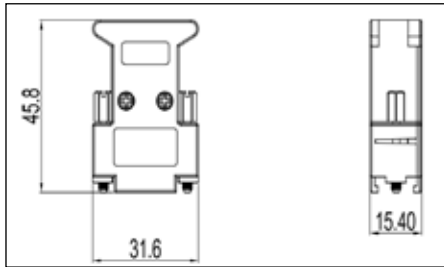
9-WAY



15-WAY



25-WAY



FEATURES

- Manufactured using UL94V-0 Rated ABS
- Supplied with Blanking Plates, Clamp, Screws for complete flexibility
- Pre-fitted short UNC4-40 mild steel, zinc plated Jackscrews
- Other Jackscrew thread sizes available on request
- If you require long Jackscrews please see CAML-Series
- If you require Unshielded Hoods then please see CAS and CAL-Series

Size	Product Code
9-way	CAMS09-K
15-way	CAMS15-K
25-way	CAMS25-K

3-WAY ENTRY HOODS, LONG THUMBSCREWS

CAML SERIES



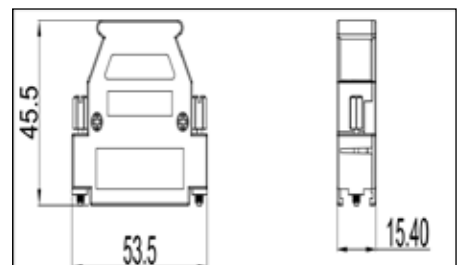
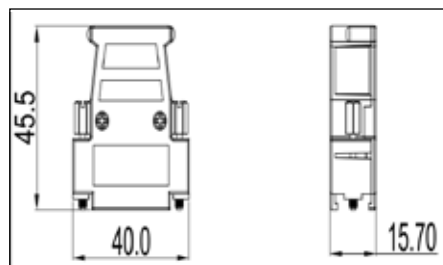
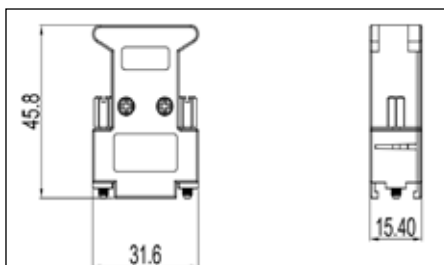
9-WAY



15-WAY



25-WAY



FEATURES

- Manufactured using UL94V-0 Rated ABS
- Supplied with Blanking Plates, Clamp, Screws for complete flexibility
- Pre-fitted long UNC4-40 mild steel, zinc plated Jackscrews
- Other Jackscrew thread sizes available on request
- If you require short Jackscrews please see CAMS-Series
- If you require Unshielded Hoods then please see CAS and CAL-Series

Size	Product Code
9-way	CAML09-K
15-way	CAML15-K
25-way	CAML25-K

ECONOMY, SCREW TOGETHER HOODS, SHORT SCREWS

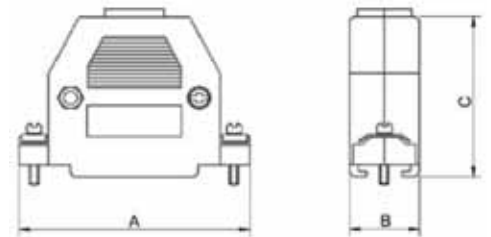
CCOV-SC-MP SERIES

TECHNICAL SPECIFICATIONS

Material:	UL Recognised Plastic Material
Plating:	Nickel over Copper
Operating Temperature:	-40°C to +120°C
Cable Entry:	Top Entry
Thumbscrews:	UNC 4-40
Cable Diameter:	Up to 13mm

FEATURES

- Available in sizes 9-15-25-37-50
- Re-openable
- Also available in Unshielded version



Size	Product Code
9-way	CCOV9-SC-MP
15-way	CCOV15-SC-MP
25-way	CCOV25-SC-MP
37-way	CCOV37-SC-MP
50-way	CCOV50-SC-MP

Size	Dim A	Dim B	Dim C
9-way	31,0	16,0	40,2
15-way	39,6	17,4	38,0
25-way	55,0	16,5	44,5
37-way	69,0	24,0	52,5
50-way	69,5	19,5	44,5

ECONOMY, SCREW TOGETHER HOODS, LONG SCREWS

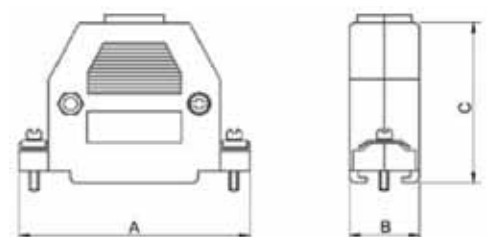
CCOV-SCL-MP SERIES

TECHNICAL SPECIFICATIONS

Material:	UL Recognised Plastic Material
Plating:	Nickel over Copper
Operating Temperature:	-40°C to +120°C
Cable Entry:	Top Entry
Thumbscrews:	UNC 4-40
Cable Diameter:	Up to 13 mm

FEATURES

- Available in sizes 9-15-25-37-50
- Re-openable
- Also available in Unshielded version



Size	Product Code
9-way	CCOV9-SCL-MP
15-way	CCOV15-SCL-MP
25-way	CCOV25-SCL-MP
37-way	CCOV37-SCL-MP
50-way	CCOV50-SCL-MP

Size	Dim A	Dim B	Dim C
9-way	31,0	16,0	40,2
15-way	39,6	17,4	38,0
25-way	55,0	16,5	44,5
37-way	69,0	24,0	52,5
50-way	69,5	19,5	44,5

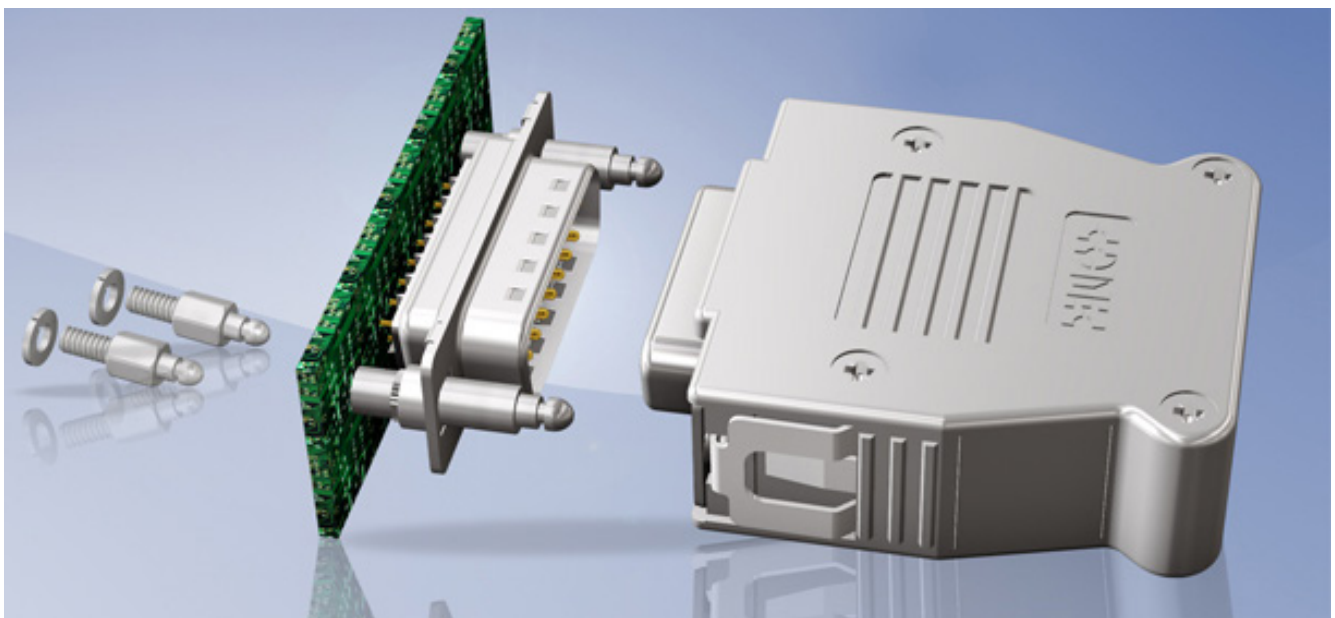
SNAPLOCK HOODS, TOP & SIDE ENTRY METPLAS

FEATURES

- Quick and easy locking and unlocking
- Locking kit Hood to Hood
- Compatible with Snaplock Connectors
- 9 and 15 way are Top and 1 Side Entry
- 25, 37 and 50 way are Top and 2 Side Entry
- Cable OD 7.5 to 11mm



PART NUMBERS	SIZE
16-001750	9
16-001760	15
16-001770	25
16-001780	37
16-001790	50



NICKEL, SCREW TOGETHER HOODS, C CLIP

DTZK SERIES

TECHNICAL SPECIFICATIONS

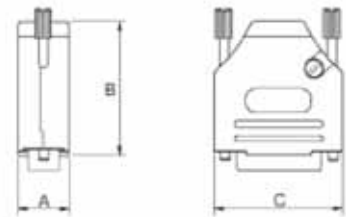
Material:	Zinc, Nickel plated
Operating Temperature:	-40°C to +120°C
Cable Entry:	Top
Thumbscrews:	UNC 4-40 (standard) M2.5, M2.6 or M3.0 on request
Cable Diameter:	From 4.3 mm Up to 13.0 mm

FEATURES

- Available in sizes 9-15-25-37
- Excellent EMI Shielding
- Re-openable
- Strain relief inserts ensure a secure termination
- Full Metal Jackscrew as standard
- Plastic Cap Jackscrew on request

Size	Product Code
9-way	DTZK9-K
15-way	DTZK15-K
25-way	DTZK25-K
37-way	DTZK37-K

Size	Dim A	Dim B	Dim C
9-way	15,0	39,9	31,2
15-way	15,0	41,5	39,5
25-way	15,0	48,6	53,4
37-way	15,0	53,6	69,7



BLACK, SCREW TOGETHER HOODS, C CLIP

DTZK-BK SERIES

TECHNICAL SPECIFICATIONS

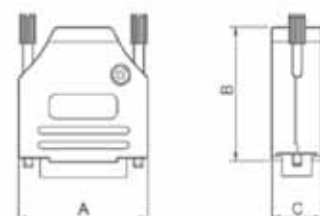
Material:	Zinc, Black
Operating Temperature:	-40°C to +120°C
Cable Entry:	Top
Thumbscrews:	UNC 4-40 (standard) M2.5, M2.6 or M3.0 on request
Cable Diameter:	From 4.3 mm Up to 13.0 mm

FEATURES

- Available in sizes 9-15-25-37
- Excellent EMI Shielding
- Re-openable
- Strain relief inserts ensure a secure termination
- Full Metal Jackscrew as standard
- Plastic Cap Jackscrew on request

Size	Product Code
9-way	DTZK9-BK-K
15-way	DTZK15-BK-K
25-way	DTZK25-BK-K
37-way	DTZK37-BK-K

Size	Dim A	Dim B	Dim C
9-way	31,2	39,9	15,0
15-way	39,5	41,5	15,0
25-way	53,4	48,6	15,0
37-way	69,7	53,6	15,0



NICKEL, SCREW TOGETHER HOODS, CLAMP

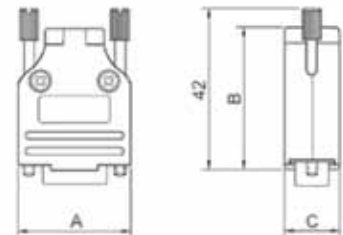
DM SERIES

TECHNICAL SPECIFICATIONS

Material:	Zinc, Nickel Plated
Operating Temperature:	-40°C to +120°C
Cable Entry:	Top Entry
Thumbscrews:	UNC 4-40 (standard) M2.5, M2.6 or M3.0 on request
Cable Diameter:	Up to 13 mm

FEATURES

- Available in sizes 9-15-25-37
- 360° EMI Shielding
- Suitable for any common Sub-D connector
- Supports all types of cables
- Quick assembly



Size	Product Code
9-way	DM9-K
15-way	DM15-K
25-way	DM25-K
37-way	DM37-K

Size	Dim A	Dim B	Dim C
9-way	32,2	41,3	15,4
15-way	40,6	43,3	15,4
25-way	54,5	49,5	15,4
37-way	70,7	54,3	15,4

NICKEL, SCREW TOGETHER HOODS, CLAMP, 35° ENTRY

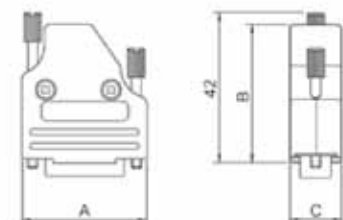
DM35 SERIES

TECHNICAL SPECIFICATIONS

Material:	Zinc, Nickel Plated
Operating Temperature:	-40°C to +120°C
Cable Entry:	Side Entry
Thumbscrews:	UNC 4-40 (standard) M2.5, M2.6 or M3.0 on request
Cable Diameter:	Up to 13 mm

FEATURES

- Available in sizes 9-15-25-37
- 360° EMI Shielding
- Suitable for any common Sub-D connector
- Supports all types of cables
- Quick assembly



Size	Product Code
9-way	DM35-9-K
15-way	DM35-15-K
25-way	DM35-25-K
37-way	DM35-37-K

Size	Dim A	Dim B	Dim C
9-way	43,0	32,0	15,5
15-way	43,0	40,4	15,5
25-way	48,0	54,0	15,5
37-way	53,0	70,5	15,5

NICKEL, SCREW TOGETHER HOODS, 45° ENTRY

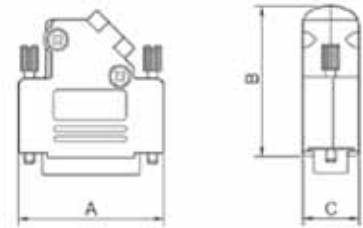
D45ZK SERIES

TECHNICAL SPECIFICATIONS

Material:	Zinc, Nickel Plated
Operating Temperature:	-40°C to +120°C
Cable Entry:	45° Side Entry
Thumbscrews:	UNC 4-40 (standard) M2.5, M2.6 or M3.0 on request
Cable Diameter:	Up to 13mm (Size 9-37) Up to 17mm (Size 50)

FEATURES

- Available in sizes 9-15-25-37-50
- Excellent EMI Shielding
- Re-openable
- Strain relief inserts ensure a secure termination



Size	Product Code
9-way	D45ZK9-K
15-way	D45ZK15-K
25-way	D45ZK25-K
37-way	D45ZK37-K
50-way	D45ZK50-K

Size	Dim A	Dim B	Dim C
9-way	31,0	36,3	14,5
15-way	39,5	40,3	14,5
25-way	53,2	40,3	14,5
37-way	69,7	40,3	14,5
50-way	67,4	44,9	17,4

BLACK, SCREW TOGETHER HOODS, 45° ENTRY

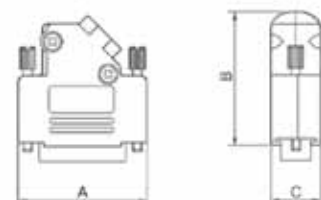
D45ZK-BK SERIES

TECHNICAL SPECIFICATIONS

Material:	Zinc, Black
Operating Temperature:	-40°C to +120°C
Cable Entry:	45° Side Entry
Thumbscrews:	UNC 4-40 (standard) M2.5, M2.6 or M3.0 on request
Cable Diameter:	Up to 13 mm

FEATURES

- Available in sizes 9-15-25-37
- Excellent EMI Shielding
- Re-openable
- Strain relief inserts ensure a secure termination



Size	Product Code
9-way	D45ZK9-BK-K
15-way	D45ZK15-BK-K
25-way	D45ZK25-BK-K
37-way	D45ZK37-BK-K

Size	Dim A	Dim B	Dim C
9-way	31,0	36,3	14,5
15-way	39,5	40,3	14,5
25-way	53,2	40,3	14,5
37-way	69,7	40,3	14,5

SCREW TOGETHER HOODS, TOP ENTRY

C88E000 SERIES



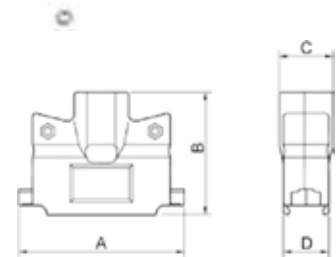
TECHNICAL SPECIFICATIONS

Material: Zinc, Nickel Plated
 Operating temperature: -25°C to +90°C
 Cable entry: Top Entry
 Thumbscrews: UNC 4-40



Size	Product Code - Top Entry
9-way	C88E000209
15-way	C88E000211
25-way	C88E000204
37-way	C88E000210
50-way	C88E000212

Size	Dim A	Dim B	Dim C	Dim D
9-way	31,1	37,2	15,7	15,7
15-way	39,1	40,6	15,7	15,7
25-way	53,1	39,1	17,5	15,7
37-way	66,6	45,7	21,9	18,5
50-way	66,6	45,7	21,9	18,5



SCREW TOGETHER HOODS, 90° ENTRY

N30E9 SERIES



TECHNICAL SPECIFICATIONS

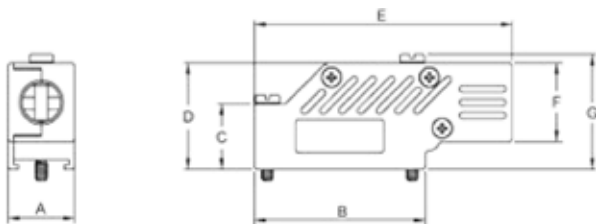
Material: Zinc, Nickel Plated
 Operating temperature: -25°C to +90°C
 Cable entry: 90° Entry
 Thumbscrews: UNC 4-40
 Cable diameter: Up to 18.4 mm
 Type of grommets: Compression Inserts



FEATURES

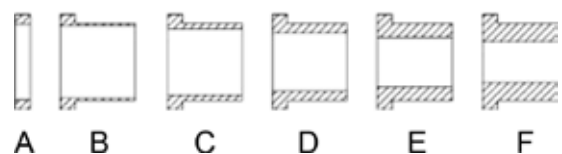
- Available in sizes 9-15-25-37-50
- Suitable for any common Sub-D connector
- Re-openable
- Compression Inserts in Thermoplastic Compound

Size	Product Code
9-way	N30E900000
15-way	N30E910000
25-way	N30E920000
37-way	N30E930000
50-way	N30E940000



Size	A	B	C	D	E	F	G
9-way	15,0	30,8	15,0	24,4	50,8	18,0	26,2
15-way	15,2	39,4	15,0	24,4	59,3	18,0	26,4
25-way	15,8	53,3	23,1	34,5	72,4	24,3	35,0
37-way	15,8	69,9	23,1	40,9	89,7	30,7	42,9
50-way	18,0	67,1	-	40,9	86,9	30,7	42,9

Compression Inserts - Inner Diameters:



Size	A	B	C	D	E	F
9/15 way	8,10	8,00	7,25	6,50	5,30	-
25-way	11,40	10,40	9,40	7,60	5,80	-
37/50-way	16,50	15,75	14,50	12,70	10,80	8,90

ECONOMY, SCREW TOGETHER HOODS, SHORT SCREWS

CCOV-ME SERIES

TECHNICAL SPECIFICATIONS

Material: Zinc, Nickel Plated
 Operating Temperature: -40°C to +120°C
 Cable Entry: Top Entry
 Cable Diameter: Up to 16 mm
 Thumbscrews: UNC 4-40



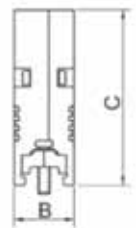
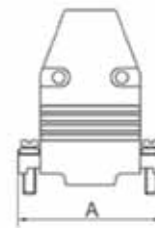
FEATURES

- Available in sizes 9-15-25-37-50
- Re-openable
- Suitable for any common Sub-D connector

Size	Cable Diameter
9-way	7 mm
15-way	11 mm
25-way	11 mm
37-way	16 mm
50-way	16 mm

Size	Product Code
9-way	CCOV9-ME
15-way	CCOV15-ME
25-way	CCOV25-ME
37-way	CCOV37-ME
50-way	CCOV50-ME

Size	Dim A	Dim B	Dim C
9-way	31,4	16,2	48,3
15-way	40,2	16,2	48,3
25-way	53,0	16,2	48,3
37-way	69,2	16,2	48,3
50-way	67,0	19,7	48,4



ECONOMY, SCREW TOGETHER HOODS, LONG SCREWS

CCOV-MEL SERIES

TECHNICAL SPECIFICATIONS

Material: Zinc, Nickel Plated
 Operating Temperature: -40°C to +120°C
 Cable Entry: Top Entry
 Cable Diameter: Up to 16 mm
 Thumbscrews: UNC 4-40



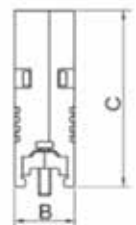
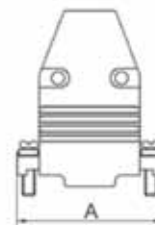
FEATURES

- Available in sizes 9-15-25-37-50
- Re-openable
- Suitable for any common Sub-D connector

Size	Cable Diameter
9-way	7 mm
15-way	11 mm
25-way	11 mm
37-way	16 mm
50-way	16 mm

Size	Product Code
9-way	CCOV9-MEL
15-way	CCOV15-MEL
25-way	CCOV25-MEL
37-way	CCOV37-MEL
50-way	CCOV50-MEL

Size	Dim A	Dim B	Dim C
9-way	31,4	16,2	48,3
15-way	40,2	16,2	48,3
25-way	53,0	16,2	48,3
37-way	69,2	16,2	48,3
50-way	67,0	19,7	48,4



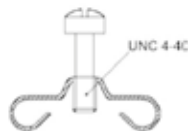
DUST CAPS, UNSHIELDED



Product Code-Male
DC09-P
DC15-P
DC25-P
DC37-P

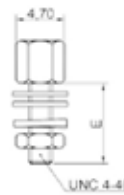
Product Code-Female
DC09-S
DC15-S
DC25-S
DC37-S

MALE SCREW LOCKS



Product Code
MSL

FEMALE SCREW LOCKS



Product Code	(E)
DJF-5	5mm
DJF-7	7mm
DJF-8	8mm
DJF-10	10mm
DJF-14	14mm

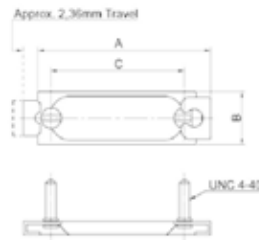
HEX EXTENDERS



HEX-Extender:
Thread: UNC 4-40
Length: 6mm

Product Code
CA0270

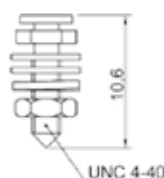
SLIDE LOCKS - STANDARD



Product Code
SLCLIP-15

Size	A	B	C
15-way	43,7	12,7	33,3

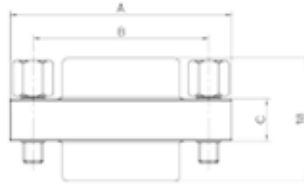
SLIDE LOCK POST - STANDARD



SLIDE LOCK POST:
Suits above Standard Slide Lock System

Product Code
STUD-8

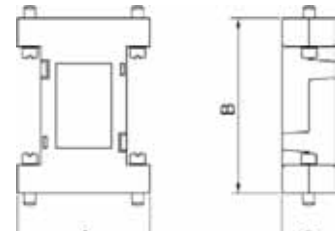
MINI GENDER CHANGERS, SPACE SAVER



Size	Dim A	Dim B	Dim C
9-way	31,2	25,0	6,0
15-way	39,5	33,3	6,0
25-way	53,4	47,1	6,0
HD15-way	31,2	25,0	6,0

Style	Product Code
9 Male to 9 Male	MGC-0909-MM
9 Male to 9 Female	MGC-0909-MF
9 Female to 9 Female	MGC-0909-FF
15 Male to 15 Male	MGC-1515-MM
15 Female to 15 Female	MGC-1515-FF
25 Male to 25 Male	MGC-2525-MM
25 Male to 25 Female	MGC-2525-MF
25 Female to 25 Female	MGC-2525-FF
HD15 Male to Male	MGC-HD1515-MM
HD15 Male to Female	MGC-HD1515-MF

GENDER CHANGER HOUSINGS



Size	Dim A	Dim B	Dim C
9-way	33,2	62,0	16,5
15-way	41,0	62,0	16,5
25-way	56,0	62,0	16,5

TECHNICAL SPECIFICATIONS

Material: UL-Recognised Plastic Material
 Operating Temperature: -30°C to +110°C
 Colour: Available in Light Grey and Black

Size	Product Code-Black	Product Code-Lt Grey
9-way	GCP-0909-BLACK	GCP-0909-LTGREY
15-way	GCP-1515-BLACK	GCP-1515-LTGREY
25-way	GCP-2525-BLACK	GCP-2525-LTGREY

GENDER CHANGER KITS



Size	Dim A	Dim B	Dim C
9-way	33,2	62,0	16,5
15-way	41,0	62,0	16,5
25-way	56,0	62,0	16,5

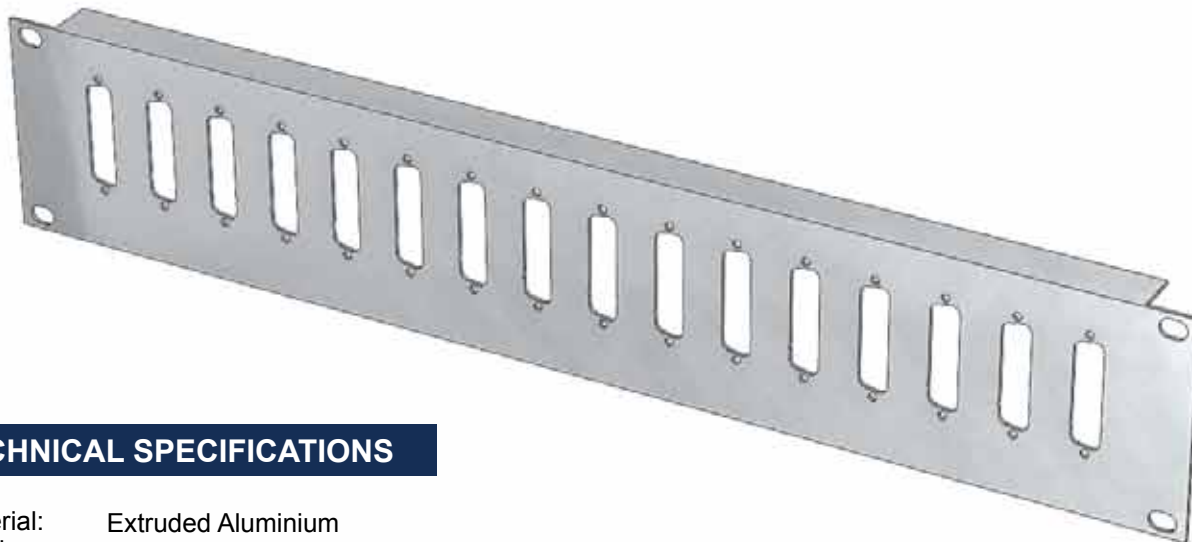
TECHNICAL SPECIFICATIONS

Material: UL-Recognised Plastic Material
 Operating Temperature: -30°C to +110°C
 Colour: Light Grey (Standard)
 Other colour on request

Style	Product Code
9 Male to 9 Male	GA0909-MM-LG-K
9 Male to 9 Female	GA0909-MF-LG-K
9 Female to 9 Female	GA0909-FF-LG-K
15 Male to 15 Male	GA1515-MM-LG-K
15 Female to 15 Female	GA1515-FF-LG-K
25 Male to 25 Male	GA2525-MM-LG-K
25 Male to 25 Female	GA2525-MF-LG-K
25 Female to 25 Female	GA2525-FF-LG-K

- Kit includes, connectors, screws and pre-assembled wires for quick, easy configuration.

19 INCH PATCH PANELS - 1HU HEIGHT



TECHNICAL SPECIFICATIONS

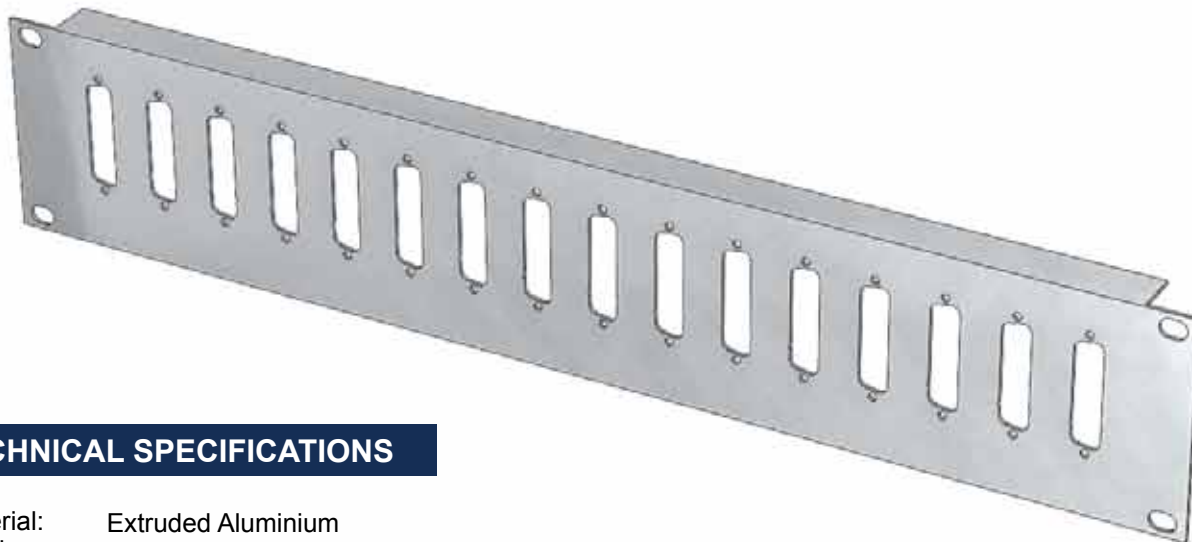
Material: Extruded Aluminium
 Finish: Anodised according E6
 or painted RAL-colour
 Dimension: 1 HU = 44.0mm

- Lightweight and cost effective
- Panel measures only 1.6mm to fit any available snap-in connector
- Different connector styles can be configured on each panel
- Can be delivered with printed logotype and panel marking upon request

9 WAY		
CUT OUTS	PANEL COLOUR	PART NUMBER
8	E6 ANODISED	KK1A-8SUBD9
10	E6 ANODISED	KK1A-10SUBD9
12	E6 ANODISED	KK1A-12SUBD9
16	E6 ANODISED	KK1A-16SUBD9
20	E6 ANODISED	KK1A-20SUBD9
<hr/>		
8	RAL7032	KK1A-8SUBD9-RAL7032
10	RAL7032	KK1A-10SUBD9-RAL7032
12	RAL7032	KK1A-12SUBD9-RAL7032
16	RAL7032	KK1A-16SUBD9-RAL7032
20	RAL7032	KK1A-20SUBD9-RAL7032

15 WAY		
CUT OUTS	PANEL COLOUR	PART NUMBER
8	E6 ANODISED	KK1A-8SUBD15
10	E6 ANODISED	KK1A-10SUBD15
12	E6 ANODISED	KK1A-12SUBD15
16	E6 ANODISED	KK1A-16SUBD15
20	E6 ANODISED	KK1A-20SUBD15
<hr/>		
8	RAL7032	KK1A-8SUBD15-RAL7032
10	RAL7032	KK1A-10SUBD15-RAL7032
12	RAL7032	KK1A-12SUBD15-RAL7032
16	RAL7032	KK1A-16SUBD15-RAL7032
20	RAL7032	KK1A-20SUBD15-RAL7032

19 INCH PATCH PANELS - 2HU HEIGHT



TECHNICAL SPECIFICATIONS

Material: Extruded Aluminium
 Finish: Anodised according E6
 or painted RAL-colour
 Dimension: 2 HU = 88.0mm

- Lightweight and cost effective
- Panel measures only 1.6mm to fit any available snap-in connector
- Different connector styles can be configured on each panel
- Can be delivered with printed logotype and panel marking upon request

9 WAY		
CUT OUTS	PANEL COLOUR	PART NUMBER
8	E6 ANODISED	KK2A-8SUBD9
10	E6 ANODISED	KK2A-10SUBD9
12	E6 ANODISED	KK2A-12SUBD9
16	E6 ANODISED	KK2A-16SUBD9
20	E6 ANODISED	KK2A-20SUBD9
8	RAL7032	KK2A-8SUBD9-RAL7032
10	RAL7032	KK2A-10SUBD9-RAL7032
12	RAL7032	KK2A-12SUBD9-RAL7032
16	RAL7032	KK2A-16SUBD9-RAL7032
20	RAL7032	KK2A-20SUBD9-RAL7032

15 WAY		
CUT OUTS	PANEL COLOUR	PART NUMBER
8	E6 ANODISED	KK2A-8SUBD15
10	E6 ANODISED	KK2A-10SUBD15
12	E6 ANODISED	KK2A-12SUBD15
16	E6 ANODISED	KK2A-16SUBD15
20	E6 ANODISED	KK2A-20SUBD15
8	RAL7032	KK2A-8SUBD15-RAL7032
10	RAL7032	KK2A-10SUBD15-RAL7032
12	RAL7032	KK2A-12SUBD15-RAL7032
16	RAL7032	KK2A-16SUBD15-RAL7032
20	RAL7032	KK2A-20SUBD15-RAL7032

25 WAY		
CUT OUTS	PANEL COLOUR	PART NUMBER
8	E6 ANODISED	KK2A-8SUBD25
10	E6 ANODISED	KK2A-10SUBD25
12	E6 ANODISED	KK2A-12SUBD25
16	E6 ANODISED	KK2A-16SUBD25
20	E6 ANODISED	KK2A-20SUBD25
8	RAL7032	KK2A-8SUBD25-RAL7032
10	RAL7032	KK2A-10SUBD25-RAL7032
12	RAL7032	KK2A-12SUBD25-RAL7032
16	RAL7032	KK2A-16SUBD25-RAL7032
20	RAL7032	KK2A-20SUBD25-RAL7032

Quality through Reliability

At MBS we have excellent relationships with our supply partners built up over 25+ years in the industry. We are the exclusive UK Distributor for Ruebsamen & Herr thermal management products as well as being Official Franchised Distributors for Encitech AB (formerly MH Sweden AB), Northern Technologies, Sentinel Connector Systems, Agro Cable Glands and OSSI. We also hold stock of products from other well known manufacturers such as Belfuse, Bel-Stewart, Phoenix Contact, Amphenol LTW, Xmultiple, JST, Signal Transformer to name a few. To compliment our branded products we source a wide and varied range of products from quality and approved manufacturers in Asia.



www.mbs-components.com



MBS

COMPONENTS

MBS COMPONENTS LIMITED
UNIT L, TYSON COURTYARD
WELDON SOUTH INDUSTRIAL ESTATE
CORBY, NORTHANTS NN18 8AZ

Tel: 01536 263411
Fax: 01536 268043
Email: sales@mbs-components.com
www.mbs-components.com